

Parts Catalog

Admiral 28 Cylindrical Scrubber (from ser.no.: 7090.48.3.0024.X)



Table of Contents

| | |
|---|----|
| Front bounce protection (97116834)..... | 4 |
| Wheel suspension (97124499)..... | 6 |
| Chassis (97124473)..... | 8 |
| Steering column with control board (97125496)..... | 10 |
| Steering (97124465)..... | 12 |
| Seat bracket (97118616)..... | 14 |
| Drive sensor (available; no.: 06001800) (06001800)..... | 16 |
| Tank (Available! No.: 01077140) (01077140)..... | 18 |
| Hopper cover (97078505)..... | 22 |
| Suction unit (97079370)..... | 24 |
| Lifting assy suction base unit part1 (97117980-1)..... | 26 |
| Lifting assy suction base unit part2 (97117980-2)..... | 28 |
| Squeegee 95 cm (Available! No.99755910) (99755910)..... | 30 |
| Wiper cpl. (97116628)..... | 35 |
| Cylindrical brush drive aggregate (97118335 7090-48)..... | 41 |
| Electrics, part 1 (97125504-1)..... | 58 |
| Electrics, part 2 (97125504-2)..... | 62 |
| Wiring without On-board-charger (97116743)..... | 66 |
| Labels (97116586)..... | 68 |

This manual covers all standard Admiral 28 models:

Model No.

The machine will provide excellent service. However, the best results will be obtained if:

- The machine is operated with reasonable care.
- The machine is maintained regularly per the maintenance schedule in the instruction manual provided.
- The machine is maintained with PowerBoss OEM supplied or equivalent parts.

All right side and left side references to the machine are determined by facing the direction of forward travel. Parts may be ordered by phone or mail from any PowerBoss parts and service center. Before ordering parts or supplies be sure to have your machine model number and serial number handy.

Fill out the data block below for future reference.

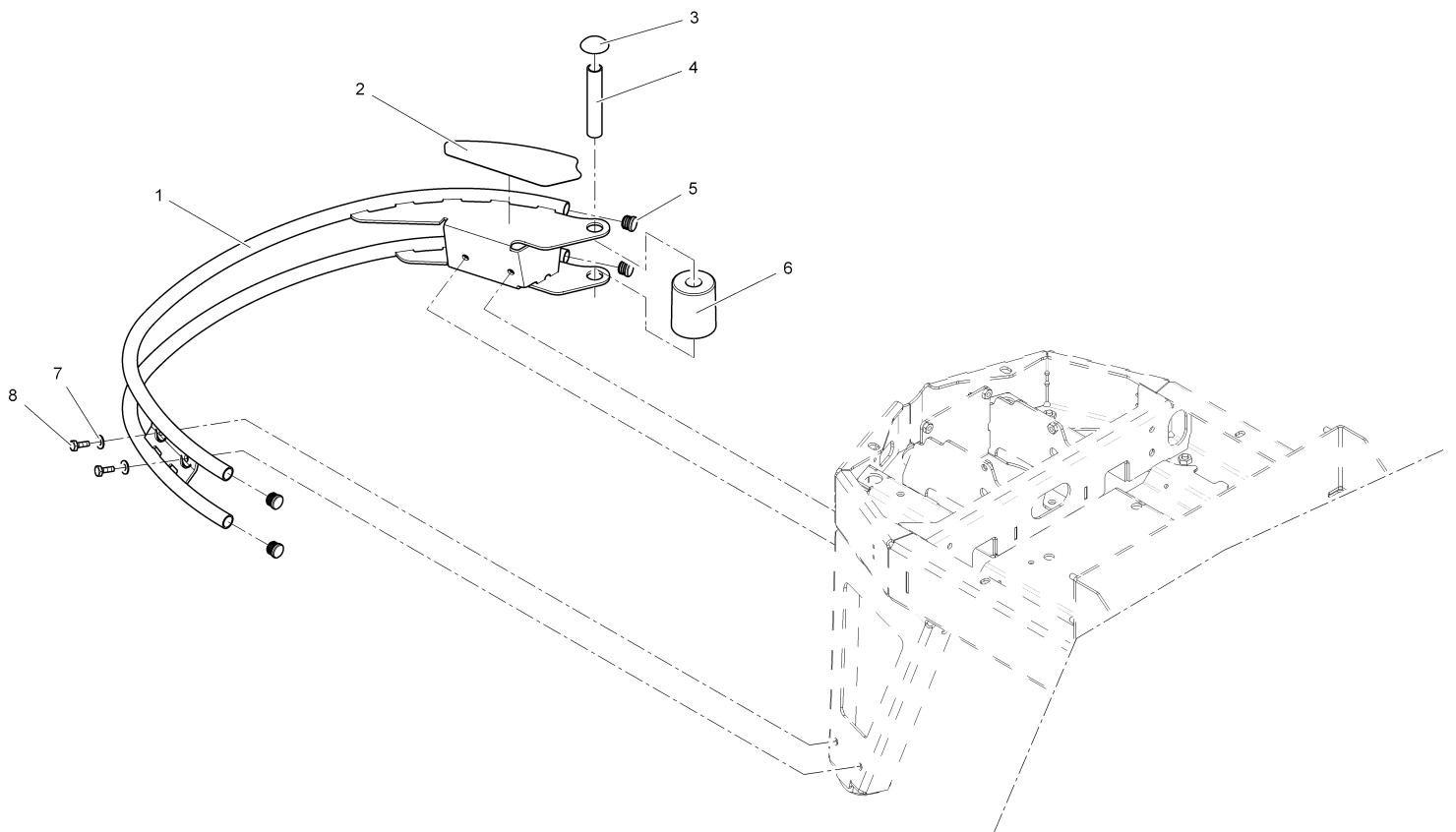
| | |
|--|------------|
| MACHINE DATA Fill Out At Installation | |
| Model: | Admiral 28 |
| Serial Number: | _____ |
| Sales Rep or Dealer | _____ |
| Date of Install: | _____ |
| Manual p/n: | 4100014 |

All information contained in this manual is current at the time of printing However, PowerBoss Reserves the right to make changes at any time without notice.

© 2013, Powerboss, Inc., Printed in USA

All rights reserved. This manual may not be copied or reproduced in any form, without the written permission of PowerBoss, Inc.

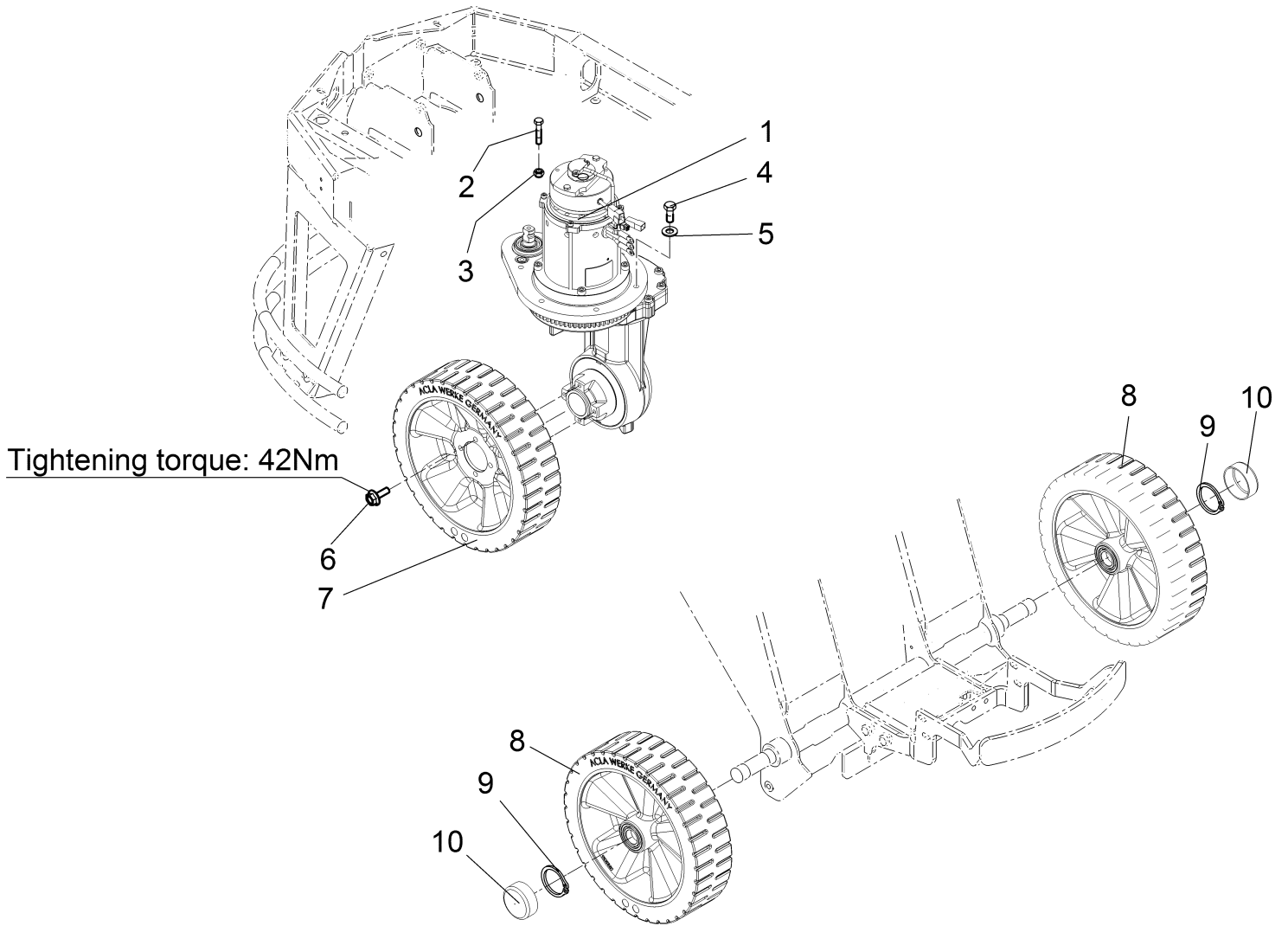
Front bounce protection (97116834)



Front bounce protection (97116834)

| Item | Part number | Description | Qty. | Unit | Remarks |
|------|-------------|---------------------|------|------|---------|
| 1 | 01071630 | Tube bow | 1 | | |
| 2 | 01071230 | Decal | 1 | | |
| 3 | 00072270 | Thrust washer | 1 | | |
| 4 | 00901590 | Pipe | 1 | | |
| 5 | 01073310 | Drain plug | 4 | | |
| 6 | 01057290 | Rejecting role | 1 | | |
| 7 | 00740090 | Detent edged washer | 4 | | |
| 8 | 00053090 | Hexagon screw | 4 | | |

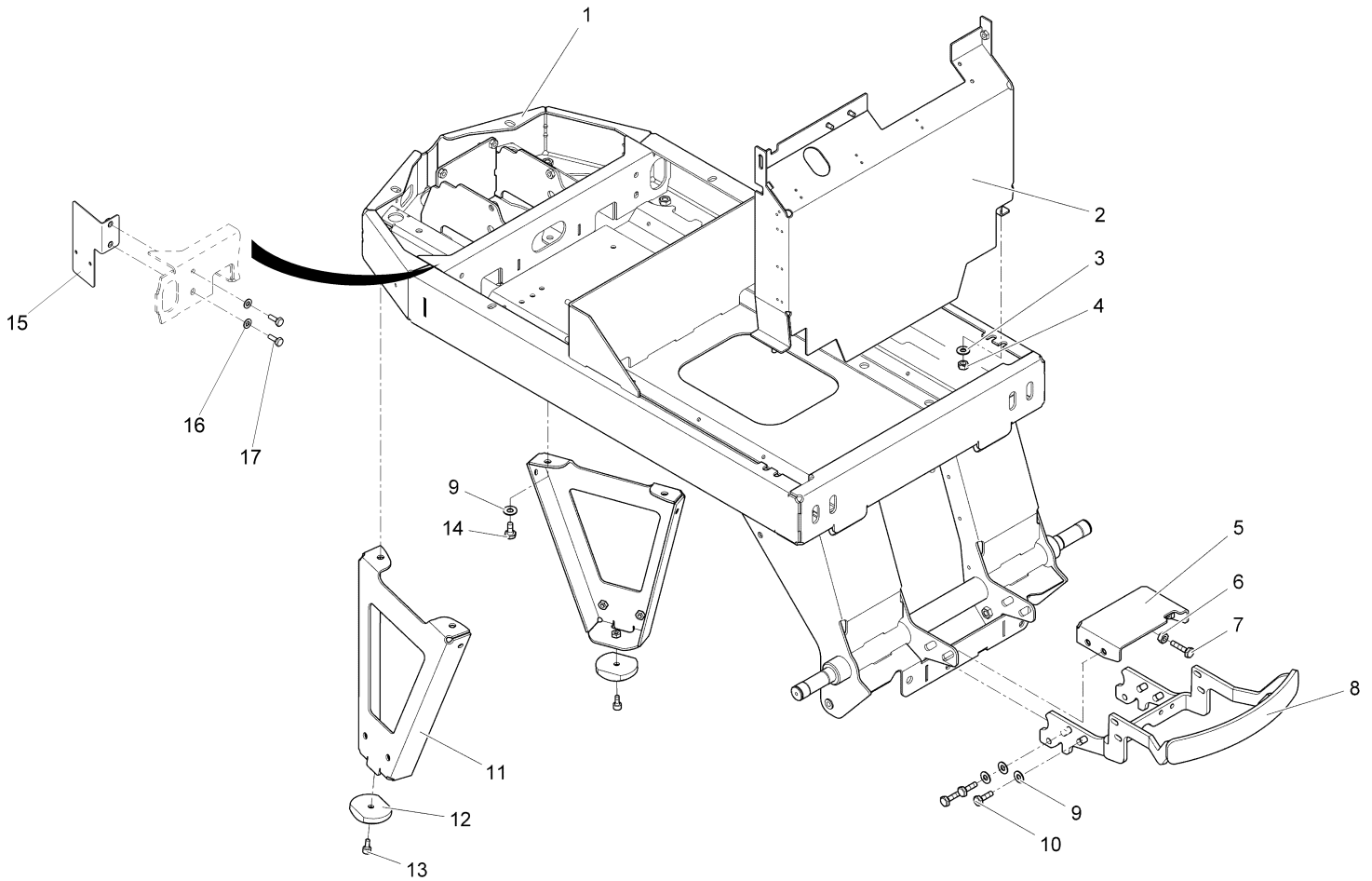
Wheel suspension (97124499)



Wheel suspension (97124499)

| Item | Part number | Description | Qty. | Unit | Remarks |
|------|-------------|---------------------|------|------|--------------------------|
| 1 | 01276030 | Drive unit | 1 | | |
| 2 | 00535110 | Hex.bolt | 2 | | |
| 3 | 00051520 | Hex. Nut | 2 | | |
| 4 | 00055460 | Hex.bolt | 6 | | |
| 5 | 00740290 | Detent edged washer | 6 | | |
| 6 | 01171260 | Hexagon screw | 4 | | Tightening torque: 42 Nm |
| 7 | 01175320 | Wheel | 1 | | |
| 8 | 01071650 | Wheel | 2 | | |
| 9 | 00022460 | Retaining ring | 2 | | |
| 10 | 01171530 | Cap | 2 | | |

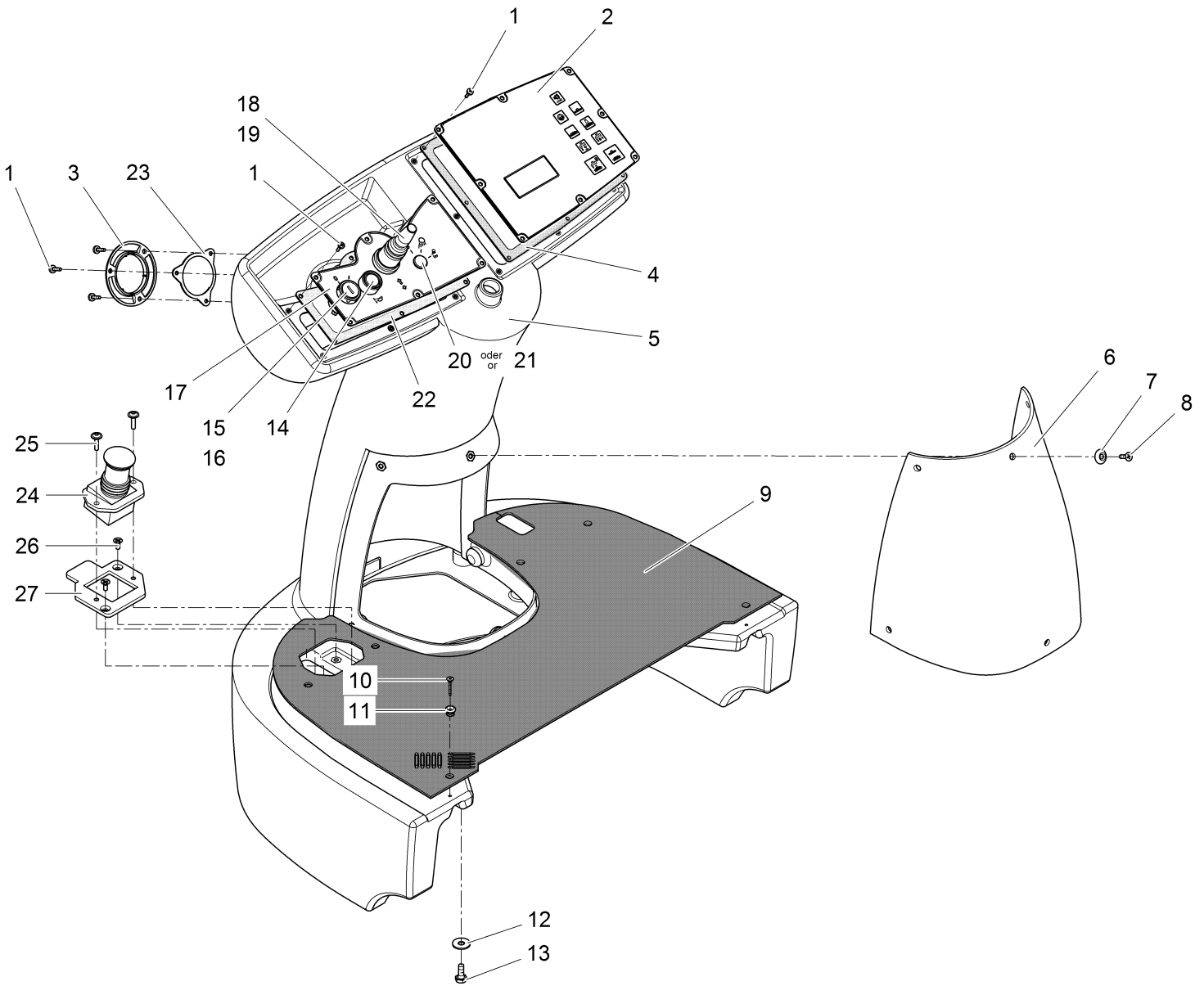
Chassis (97124473)



Chassis (97124473)

| Item | Part number | Description | Qty. | Unit | Remarks |
|------|-------------|-------------------------------|------|------|-------------------|
| 1 | 03012790 | Chassis. (HKM B115) | 1 | | |
| 2 | 03000260 | Sheet metal | 2 | | |
| 3 | 00740090 | Detent edged washer | 2 | | |
| 4 | 00051510 | Hex. Nut | 2 | | |
| 5 | 03000270 | Plate, cpl. | 1 | | |
| 6 | 00053360 | Hex. Nut | 1 | | |
| 7 | 00053170 | Hexagon screw | 1 | | |
| 8 | 01071640 | Starting protection rear side | 1 | | |
| 9 | 00740290 | Detent edged washer | 10 | | |
| 10 | 00053160 | Hexagon screw | 6 | | |
| 11 | 01071240 | Support plate | 2 | | |
| 12 | 01070970 | Stay | 2 | | |
| 13 | 00102790 | Cylinder head screw | 2 | | |
| 14 | 00021130 | Hex.bolt | 4 | | |
| 15 | --- | Spare part on request | 1 | | 96141569 Retainer |
| 16 | 00053750 | Washer | 2 | | |
| 17 | 00053090 | Hexagon screw | 2 | | |

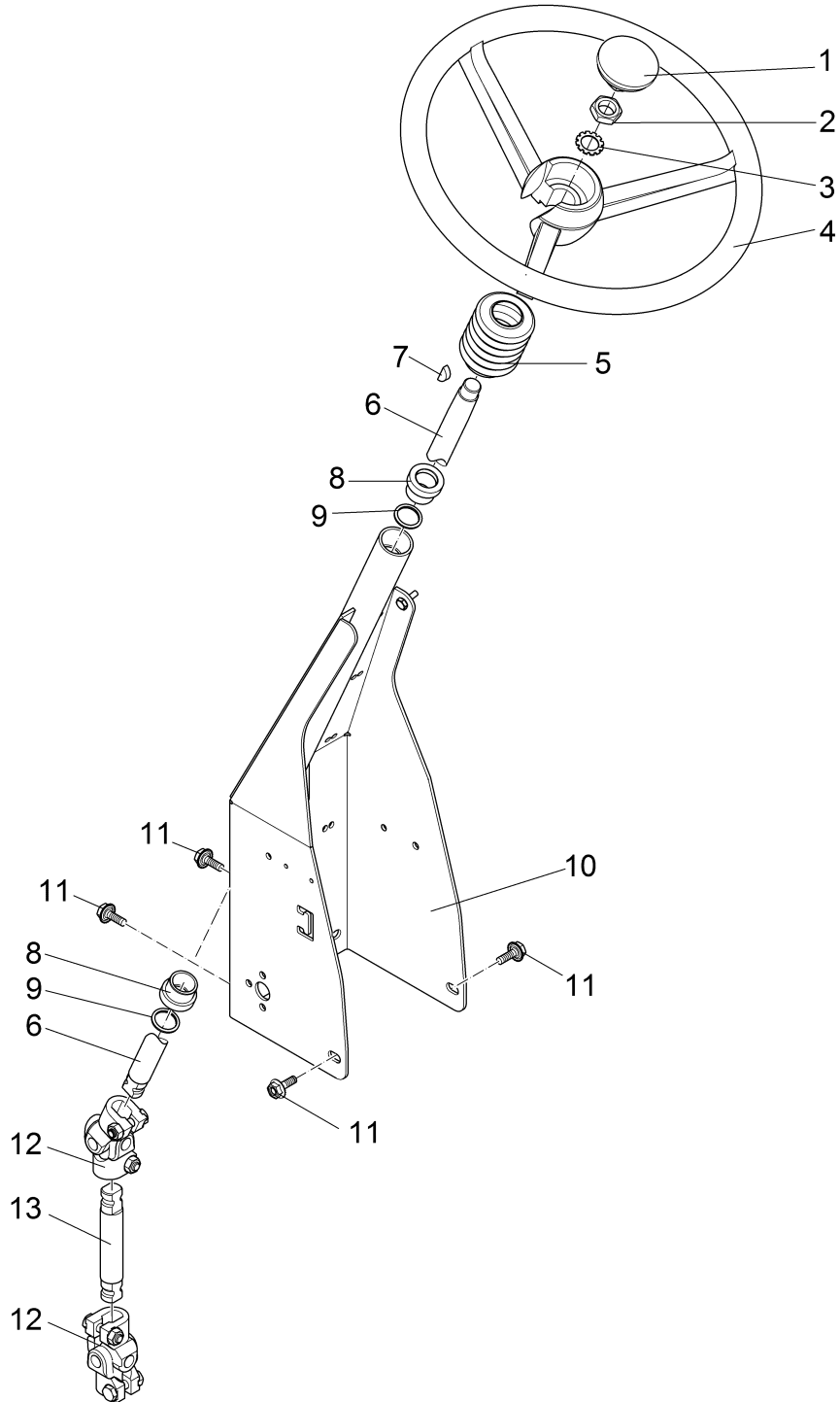
Steering column with control board (97125496)



Steering column with control board (97125496)

| Item | Part number | Description | Qty. | Unit | Remarks |
|------|-------------|-----------------------|------|------|--------------|
| 1 | 01072790 | Truss head screw | 17 | | |
| 2 | 01273600 | Control panel | 1 | | |
| 3 | --- | Spare part on request | 1 | | 90535972 Cap |
| 4 | 01070980 | Seal | 1 | | |
| 5 | 01276050 | Steering column, cpl. | 1 | | |
| 6 | 01170930 | Hood | 1 | | |
| 7 | 00157690 | Annular plate | 6 | | |
| 8 | 00154680 | Countersunk screw | 6 | | |
| 9 | 01276040 | Base plate | 1 | | |
| 10 | 01073120 | Amtec screw | 6 | | |
| 11 | 01073130 | Knob | 6 | | |
| 12 | 00740080 | Washer | 4 | | |
| 13 | 00553690 | Hex.bolt | 4 | | |
| 14 | 00133770 | Press switch | 1 | | |
| 15 | 00021710 | Key switch | 1 | | |
| 16 | 00745890 | Set (2pc.) key | 1 | | |
| 17 | 01274090 | Sheet metal | 1 | | |
| 18 | 00697630 | Switch | 1 | | |
| 19 | 01074110 | Rubber cap | 1 | | |
| 20 | 00740360 | Cable sleeve | 1 | | |
| 21 | 01073320 | Rotary switch | 1 | | |
| 22 | 01070990 | Seal | 1 | | |
| 23 | 01072000 | Seal | 1 | | |
| 24 | 01145750 | Foot switch | 1 | | |
| 25 | 01000850 | Lens flange screw | 2 | | |
| 26 | 00871440 | Countersunk screw | 2 | | |
| 27 | 01276600 | Adapter plate | 1 | | |

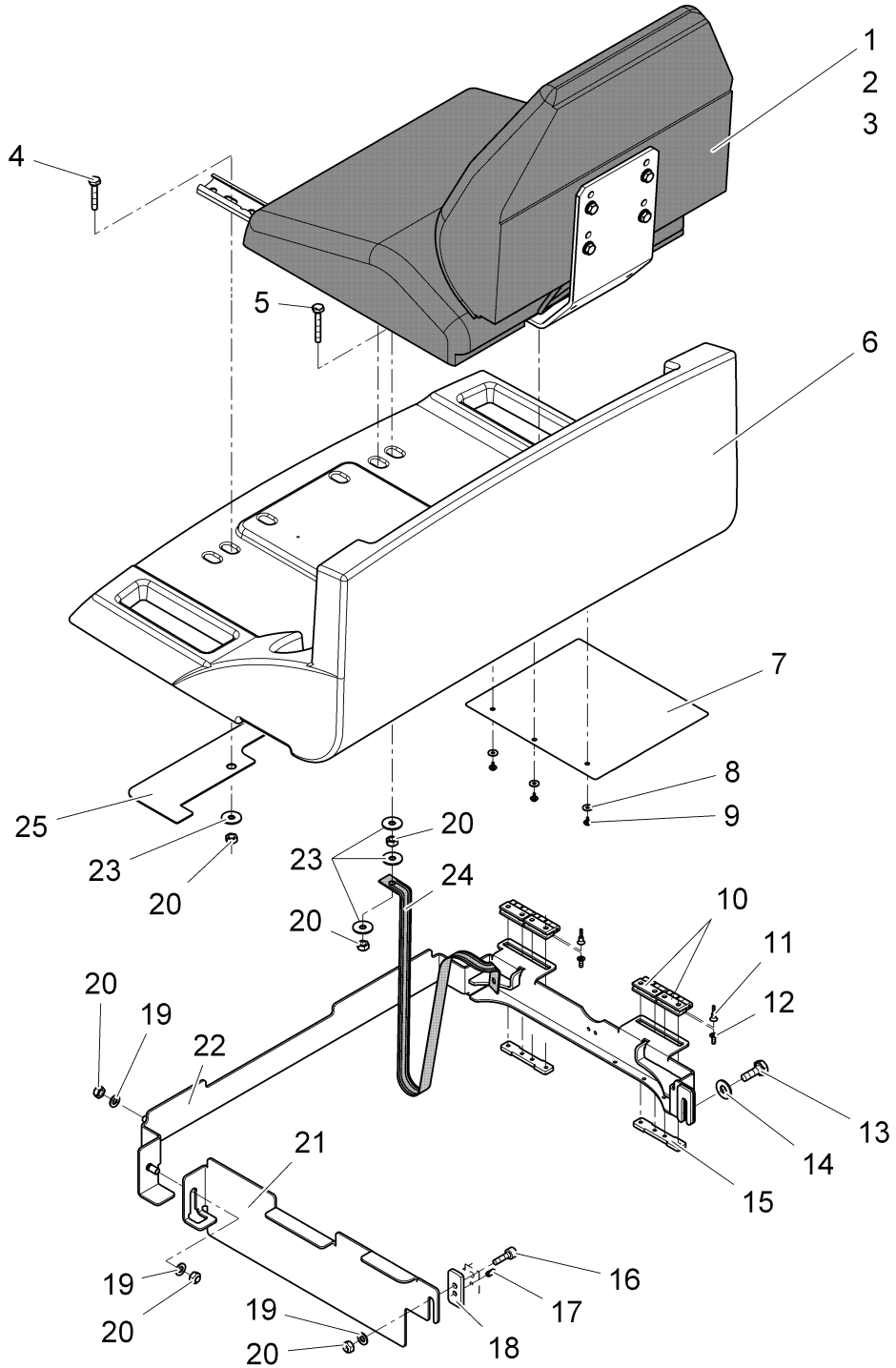
Steering (97124465)



Steering (97124465)

| Item | Part number | Description | Qty. | Unit | Remarks |
|------|-------------|----------------------|------|------|---------|
| 1 | 01140650 | Cap | 1 | | |
| 2 | 00074350 | Hex. Nut | 1 | | |
| 3 | 00075290 | Toothed washer | 1 | | |
| 4 | 00770220 | Steering wheel | 1 | | |
| 5 | 01054880 | Bellows | 1 | | |
| 6 | 00980760 | Shaft | 1 | | |
| 7 | 00153600 | Woodruff key | 1 | | |
| 8 | 00523630 | Bushing | 2 | | |
| 9 | 00554400 | O-ring oil resistant | 2 | | |
| 10 | 03012780 | Steering holder | 1 | | |
| 11 | 00959310 | Hex.bolt | 4 | | |
| 12 | 00746040 | Cardan joint | 2 | | |
| 13 | 00975430 | Shaft | 1 | | |

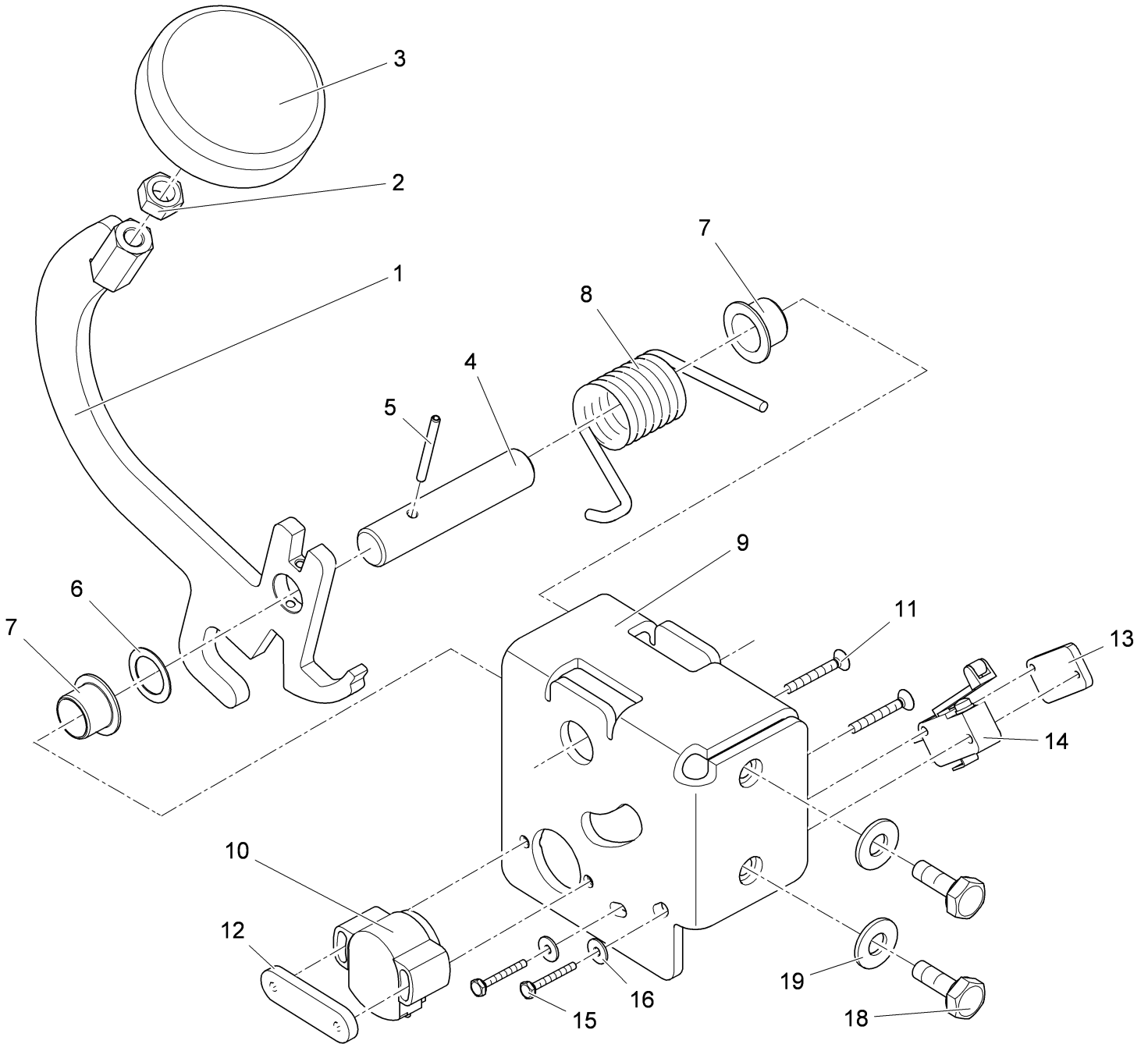
Seat bracket (97118616)



Seat bracket (97118616)

| Item | Part number | Description | Qty. | Unit | Remarks |
|------|-------------|-----------------------|------|------|--|
| 1 | 01071360 | Seat | 1 | | |
| 2 | 01073290 | Micro switch | 1 | | |
| 3 | --- | Spare part on request | 1 | | Chair cushion SC76 incl. seat switch 01073290 |
| 4 | 00133700 | Hexagon screw | 3 | | |
| 5 | 00053260 | Hex.bolt | 1 | | |
| 6 | 03010250 | Seat group | 1 | | |
| 7 | 01078280 | Bag | 1 | | |
| 8 | 00557150 | Washer | 3 | | |
| 9 | 01170850 | Screw | 3 | | |
| 10 | 00029230 | Hinge | 4 | | |
| 11 | 01063420 | Self tapping screw | 8 | | |
| 12 | 00073160 | Countersunk screw | 8 | | |
| 13 | 00053090 | Hexagon screw | 1 | | |
| 14 | 00740090 | Detent edged washer | 1 | | |
| 15 | 01072970 | Adjusting latch | 2 | | |
| 16 | 00103300 | Socket head screw | 1 | | |
| 17 | 00107140 | Dowel pin | 1 | | |
| 18 | 01072960 | Adjusting latch | 2 | | |
| 19 | 00053750 | Washer | 4 | | |
| 20 | 00051510 | Hex. Nut | 9 | | |
| 21 | 03000620 | Intermediate sheet | 1 | | |
| 22 | 03000340 | Plate | 2 | | |
| 23 | 00042900 | Washer | 6 | | |
| 24 | 01055740 | Belt | 1 | | |
| 25 | 03000630 | Plate contact | 1 | | |

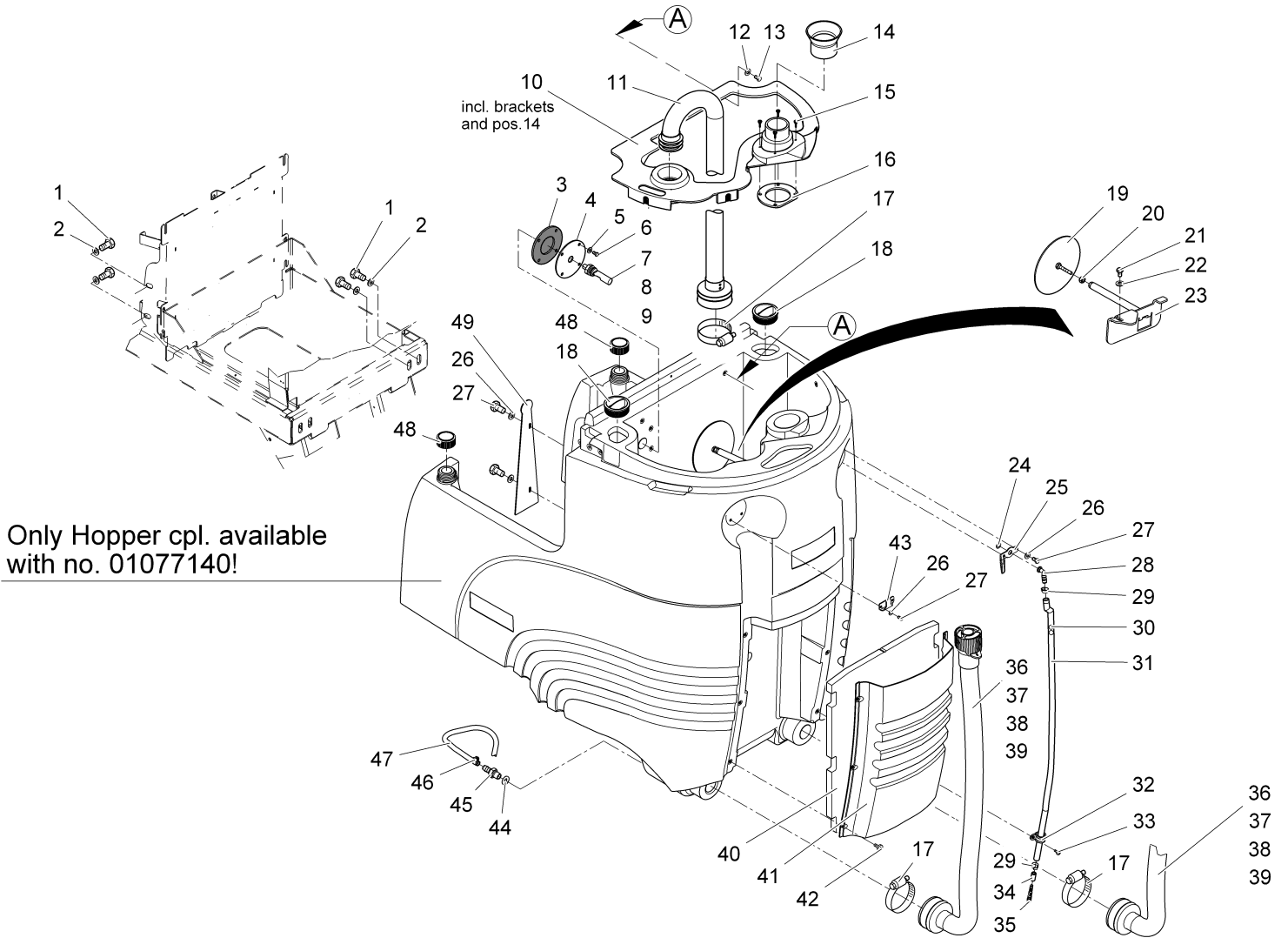
Drive sensor (available; no.: 06001800) (06001800)



Drive sensor (available; no.: 06001800) (06001800)

| Item | Part number | Description | Qty. | Unit | Remarks |
|------|-------------|---------------------|------|------|---------|
| 1 | 01071260 | Cam | 1 | | |
| 2 | 00053350 | Hex. Nut | 1 | | |
| 3 | 01071270 | Sealing cover | 1 | | |
| 4 | 01071280 | Shaft | 1 | | |
| 5 | 01073260 | Dowel pin | 1 | | |
| 6 | 00906020 | Adjusting washer | 1 | | |
| 7 | 01058400 | Plain bearing bush | 2 | | |
| 8 | 01073140 | Leg spring | 1 | | |
| 9 | 03000300 | U-bow | 1 | | |
| 10 | 01058390 | Potentiometer, cpl. | 1 | | |
| 11 | 00737690 | Countersunk screw | 1 | | |
| 12 | 01074850 | Thread base plate | 1 | | |
| 13 | 01074840 | Thread base plate | 1 | | |
| 14 | 00975510 | Micro switch | 2 | | |
| 15 | 00022180 | Hex.bolt | 2 | | |
| 16 | 00747400 | Washer | 2 | | |
| 18 | 00053090 | Hexagon screw | 2 | | |
| 19 | 00740090 | Detent edged washer | 2 | | |

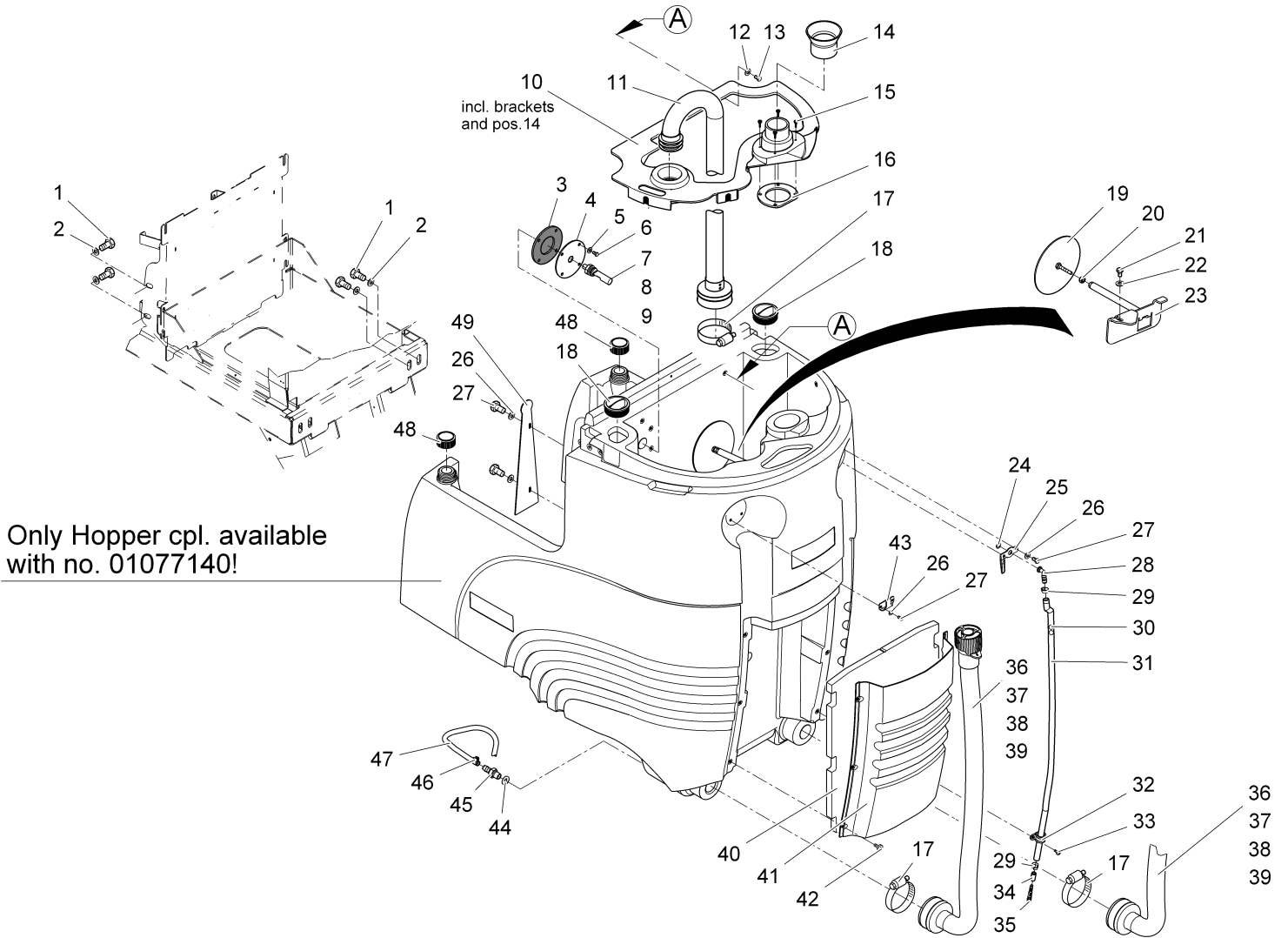
Tank (Available! No.: 01077140) (01077140)



Tank (Available! No.: 01077140) (01077140)

| Item | Part number | Description | Qty. | Unit | Remarks |
|------|-------------|----------------------|-------|------|---------|
| 1 | 00053090 | Hexagon screw | 8 | | |
| 2 | 00879170 | Washer | 8 | | |
| 3 | 03000360 | Sheet metal | 1 | | |
| 4 | 01070910 | Seal | 1 | | |
| 5 | 00102150 | Washer | 4 | | |
| 6 | 01071890 | Hex.bolt | 4 | | |
| 7 | 00861620 | Float switch | 1 | | |
| 8 | 00903180 | Male-housing | 1 | | |
| 9 | 00903170 | Tab | 1 | | |
| 10 | 01076000 | Swash guard | 1 | | |
| 11 | 01075980 | Hose | 1 | | |
| 12 | 00854210 | Washer | 5 | | |
| 13 | 01071890 | Hex.bolt | 5 | | |
| 14 | 01076650 | Connection | 1 | | |
| 15 | 01179350 | Screw | 4 | | |
| 16 | 01075990 | Gasket | 1 | | |
| 17 | 00736200 | Hose clamp | 3 | | |
| 18 | 01075490 | plug | 2 | | |
| 19 | 03000380 | Pressure plate | 1 | | |
| 20 | 00971400 | Hex. Nut | 1 | | |
| 21 | 01071740 | Hex.bolt | 1 | | |
| 22 | 00902280 | Washer | 1 | | |
| 23 | 03000370 | Support, cpl. | 1 | | |
| 24 | 00045750 | O-ring oil resistant | 1 | | |
| 25 | 01171470 | Hose support | 1 | | |
| 26 | 00053720 | Washer | 3 | | |
| 27 | 00054680 | Hex.bolt | 3 | | |
| 28 | 01171490 | Angle socket | 1 | | |
| 29 | 01171480 | Hose clamp | 1 | | |
| 30 | 01072170 | Ball | 2 | | |
| 31 | 01071790 | Hose | 780mm | | |
| 32 | 00130250 | Pipe clamp | 1 | | |
| 33 | 00051320 | Fillister-head screw | 1 | | |
| 34 | 01064890 | Hose | 20 mm | | |
| 35 | 01161210 | Reducing fitting | 1 | | |
| 36 | 01072160 | Hose, cpl. | 2 | | |

Tank (Available! No.: 01077140) (01077140)

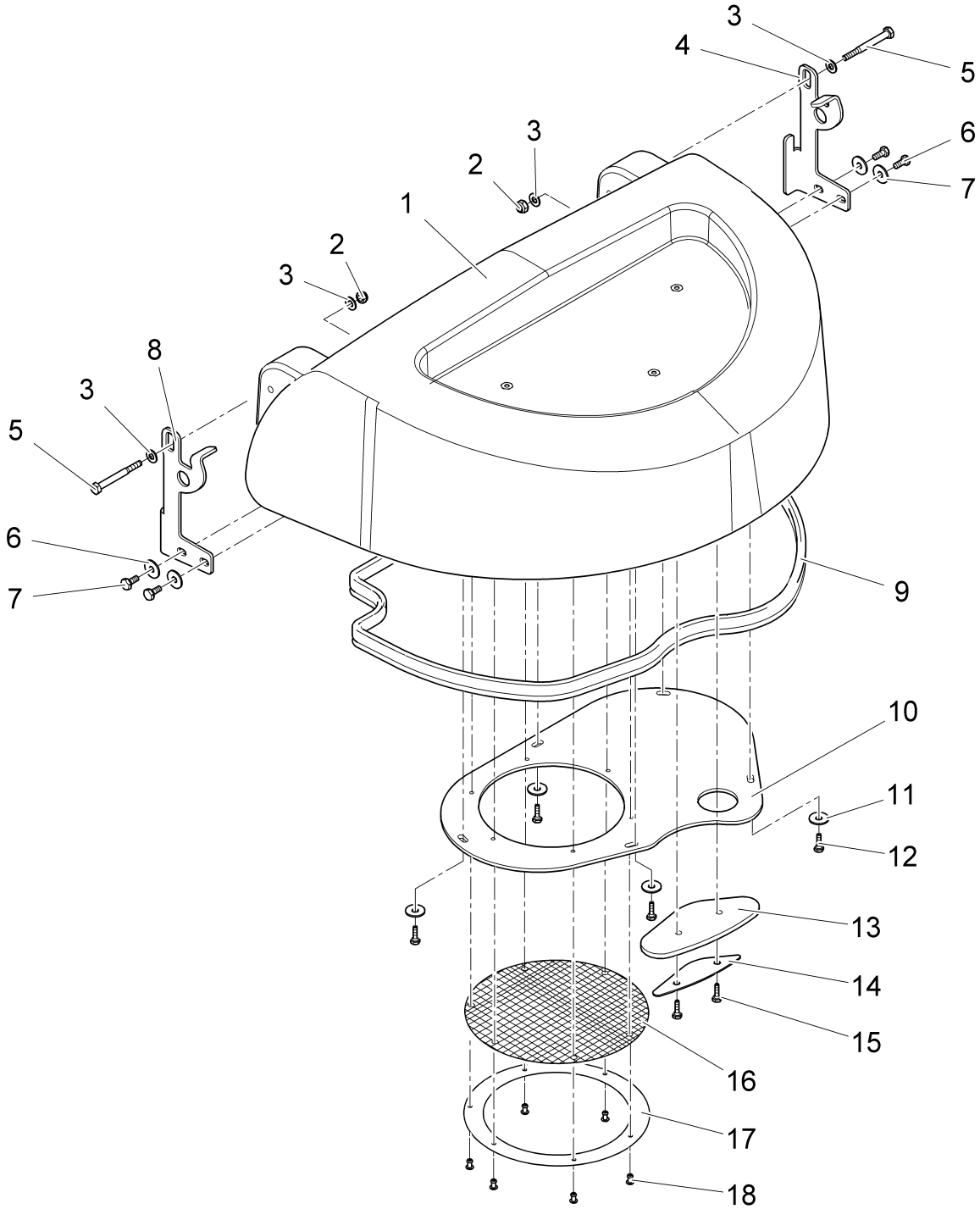


Only Hopper cpl. available with no. 01077140!

Tank (Available! No.: 01077140) (01077140)

| Item | Part number | Description | Qty. | Unit | Remarks |
|------|-------------|------------------------------|-------|------|--------------------------|
| 37 | 00906110 | Cover | 2 | | |
| 38 | 00906100 | Fillister-head screw | 4 | | |
| 39 | 01079300 | O-Ring | 2 | | |
| 40 | 01072150 | Insulating mat | 1 | | |
| 41 | 01173620 | Cover | 1 | | |
| 42 | 00556950 | Fillister-head screw | 6 | | |
| 43 | 00903160 | Hook | 1 | | |
| 44 | 00057720 | O-ring oil resistant | 1 | | |
| 45 | 01072180 | Screwing in connecting piece | 1 | | |
| 46 | 00056960 | Clamp | 1 | | |
| 47 | 00711670 | Hose | 68 lg | | |
| 48 | 01072130 | Cover | 2 | | |
| 49 | 03000390 | Sheet metal | 1 | | |
| 50 | 00107270 | O-ring | 2 | | for old version of hoses |

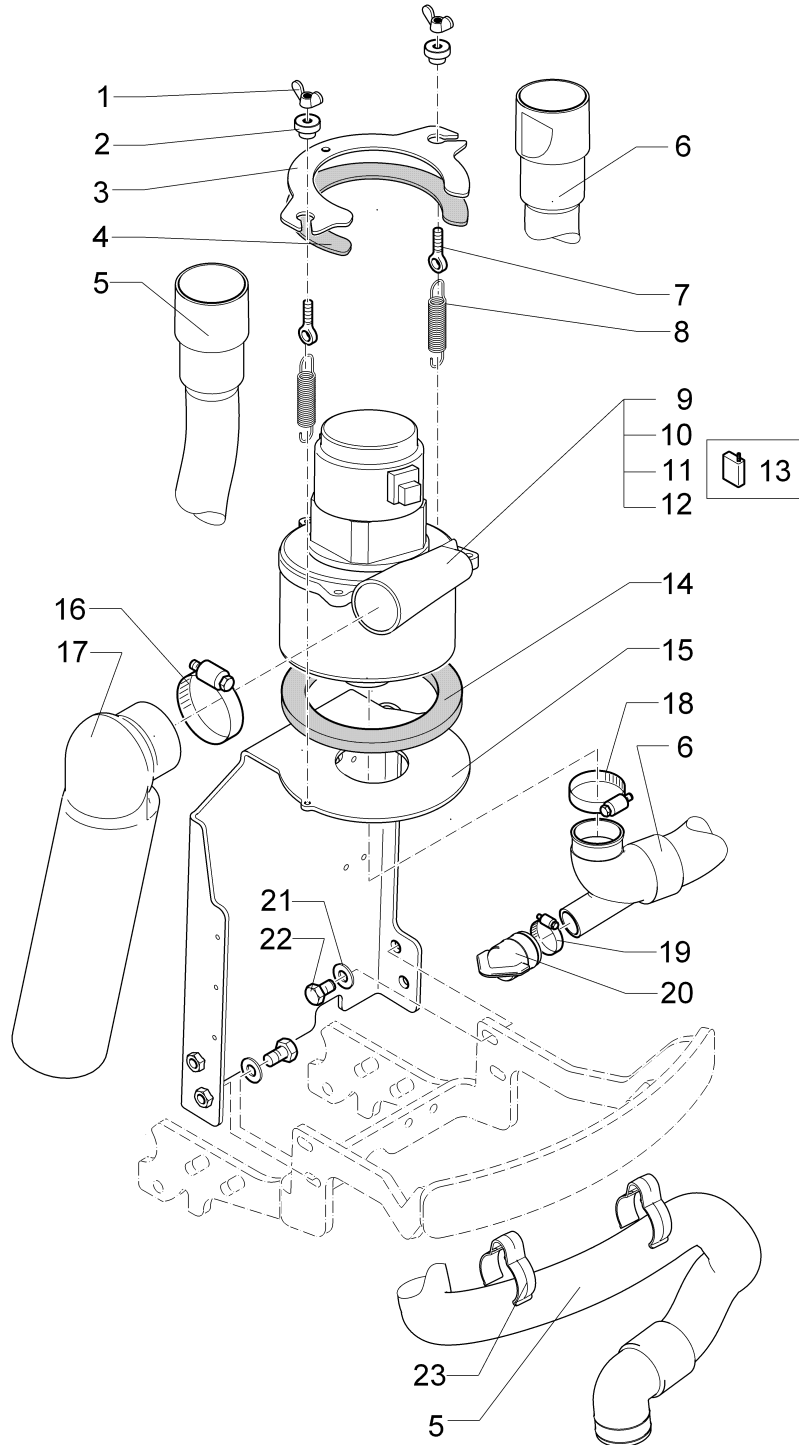
Hopper cover (97078505)



Hopper cover (97078505)

| Item | Part number | Description | Qty. | Unit | Remarks |
|------|-------------|-----------------|-------|------|---------|
| 1 | 01170940 | Cover, cpl. | 1 | | |
| 2 | 00051510 | Hex. Nut | 2 | | |
| 3 | 00053750 | Washer | 4 | | |
| 4 | 01071730 | Sheet metal | 1 | | |
| 5 | 00153400 | Hex.bolt | 2 | | |
| 6 | 01071740 | Hex.bolt | 4 | | |
| 7 | 00902280 | Washer | 4 | | |
| 8 | 01071720 | Sheet metal | 1 | | |
| 9 | 01071770 | Sealing profile | 1780m | m | |
| 10 | 01170950 | Plate | 1 | | |
| 11 | 00854210 | Washer | 7 | | |
| 12 | 01071750 | Hexagon screw | 5 | | |
| 13 | 01075580 | Gasket | 1 | | |
| 14 | 01075590 | Sheet metal | 1 | | |
| 15 | 00854190 | Hexagon screw | 2 | | |
| 16 | 01070920 | Strainer | 1 | | |
| 17 | 03000440 | Flange | 1 | | |
| 18 | 01073330 | Rivet | 6 | | |

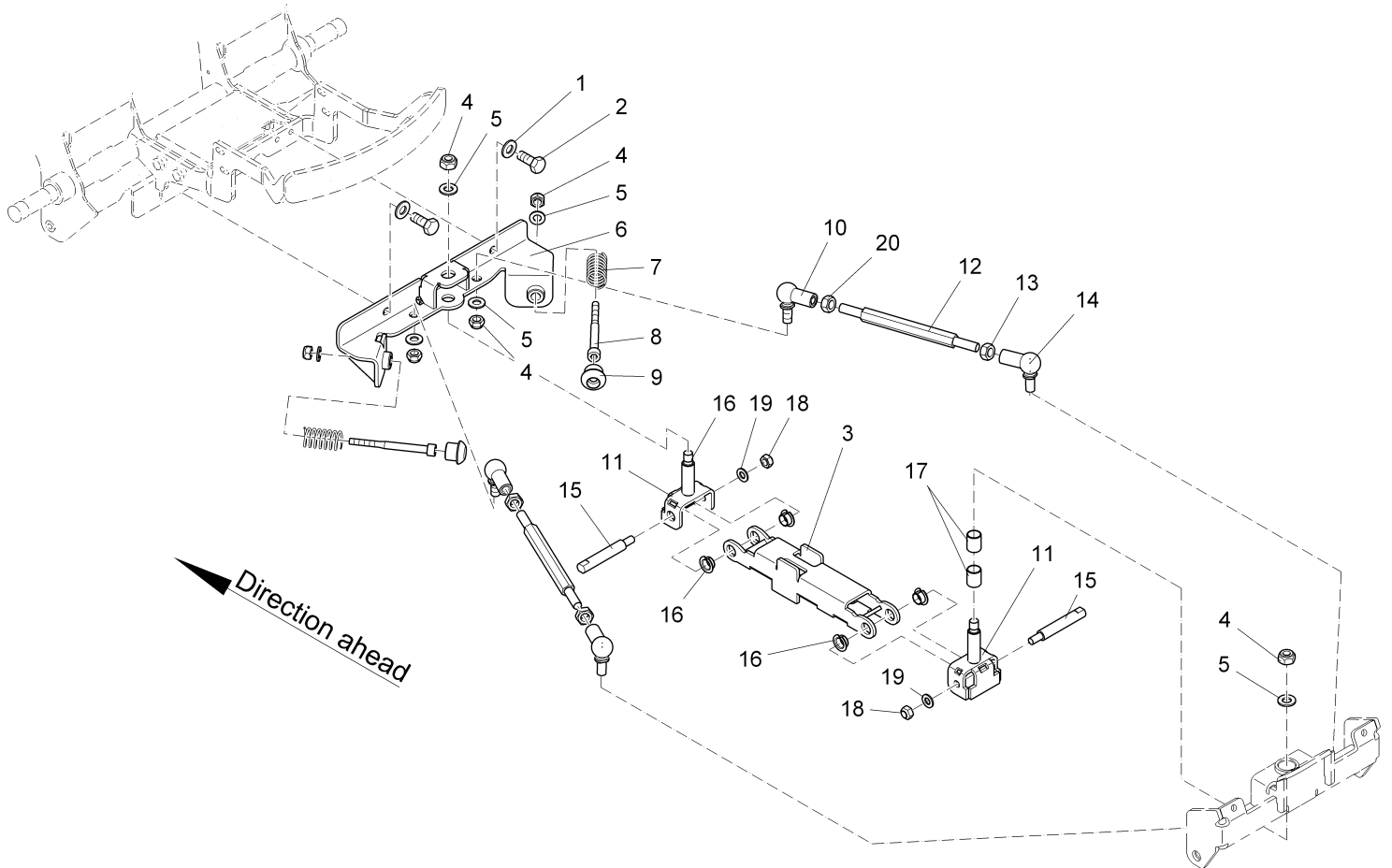
Suction unit (97079370)



Suction unit (97079370)

| Item | Part number | Description | Qty. | Unit | Remarks |
|------|-------------|----------------------|------|------|---------|
| 1 | 00054020 | Wing nut | 2 | | |
| 2 | 00903210 | Knurled nut | 2 | | |
| 3 | 01071540 | Clamping sheet metal | 1 | | |
| 4 | 01071550 | Seal | 1 | | |
| 5 | 01071560 | Hose | 1 | | |
| 6 | 01071570 | Hose | 1 | | |
| 7 | 00508770 | Eye bolt | 2 | | |
| 8 | 00109410 | Tension spring | 2 | | |
| 9 | 00543510 | Induction engine | 1 | | |
| 10 | 00904050 | Toroidal core | 1 | | |
| 11 | 00903190 | Tab | 1 | | |
| 12 | 00903180 | Male-housing | 1 | | |
| 13 | 00048840 | Carbon brush | 2 | | |
| 14 | 01071580 | Seal | 1 | | |
| 15 | 03000450 | Support, cpl. | 1 | | |
| 16 | 00732130 | Hose clamp | 1 | | |
| 17 | 00471570 | Hose | 1 | | |
| 18 | 01071810 | Hose clamp | 1 | | |
| 19 | 00733160 | Hose clamp | 1 | | |
| 20 | 00054560 | Valve | 1 | | |
| 21 | 00740090 | Detent edged washer | 4 | | |
| 22 | 00077110 | Hexagon screw | 4 | | |
| 23 | 01071590 | Hose clip | 2 | | |

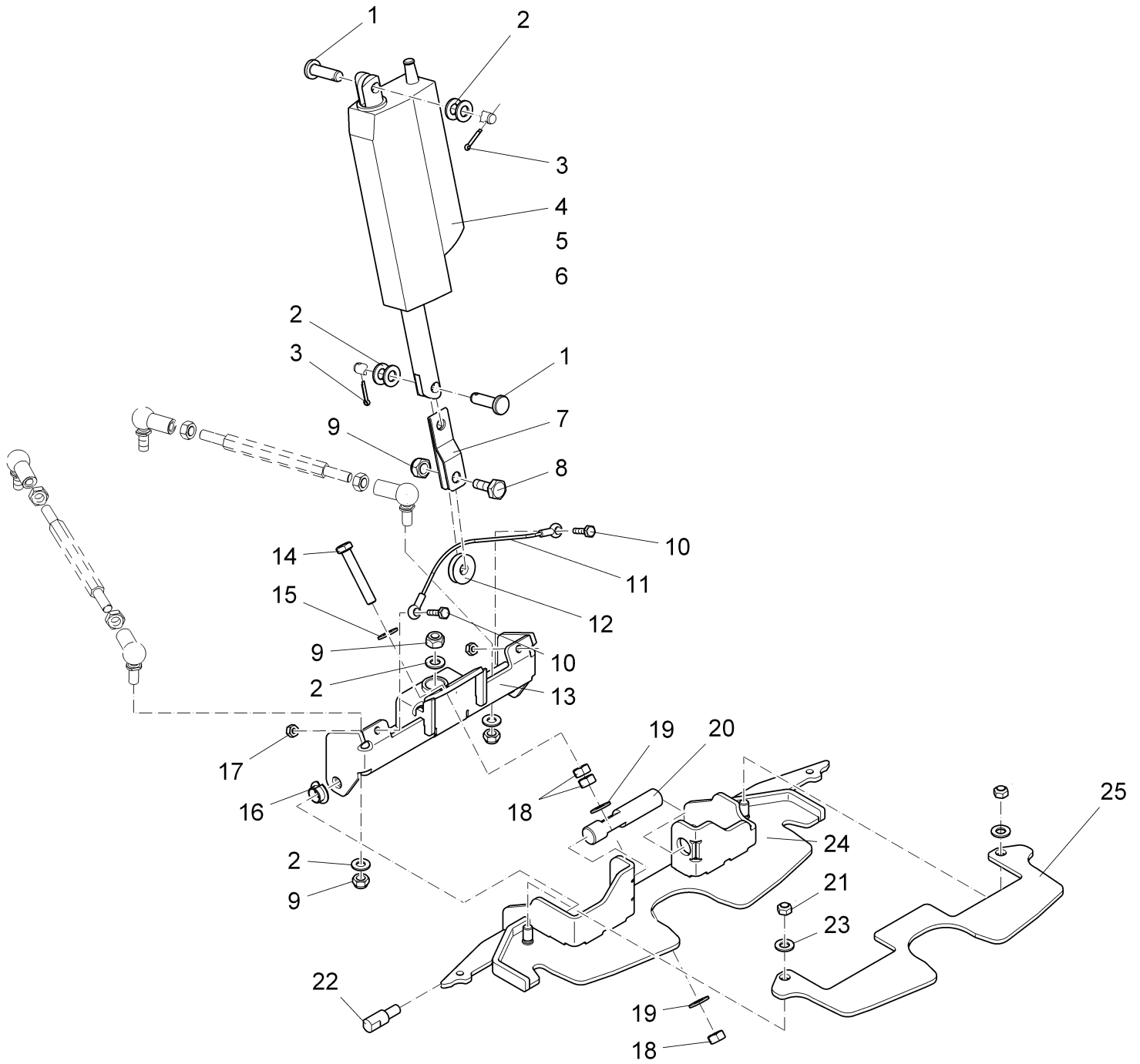
Lifting assy suction base unit part1 (97117980-1)



Lifting assy suction base unit part1 (97117980-1)

| Item | Part number | Description | Qty. | Unit | Remarks |
|------|-------------|---------------------|------|------|---------|
| 1 | 00740090 | Detent edged washer | 2 | | |
| 2 | 00054690 | Hexagon screw | 2 | | |
| 3 | 01178240 | Retainer | 1 | | |
| 4 | 00051500 | Hex. Nut | 4 | | |
| 5 | 00053760 | Washer | 5 | | |
| 6 | 01178230 | Retainer | 1 | | |
| 7 | 01175850 | Compression spring | 2 | | |
| 8 | 00927270 | Cylinder head screw | 8 | | |
| 9 | 01073100 | Bushing | 2 | | |
| 10 | 00527700 | Angle joint | 2 | | |
| 11 | 01177810 | Fork head | 2 | | |
| 12 | 01071460 | Threaded rod | 2 | | |
| 13 | 00704470 | Hex. Nut | 2 | | |
| 14 | 01071490 | Angle joint | 2 | | |
| 15 | 01178380 | Threaded bolt | 2 | | |
| 16 | 01171330 | Slide bearing bush | 4 | | |
| 17 | 01171820 | Slide bearing bush | 2 | | |
| 18 | 00051510 | Hex. Nut | 2 | | |
| 19 | 00053750 | Washer | 2 | | |
| 20 | 00053360 | Hex. Nut | 2 | | |

Lifting assy suction base unit part2 (97117980-2)



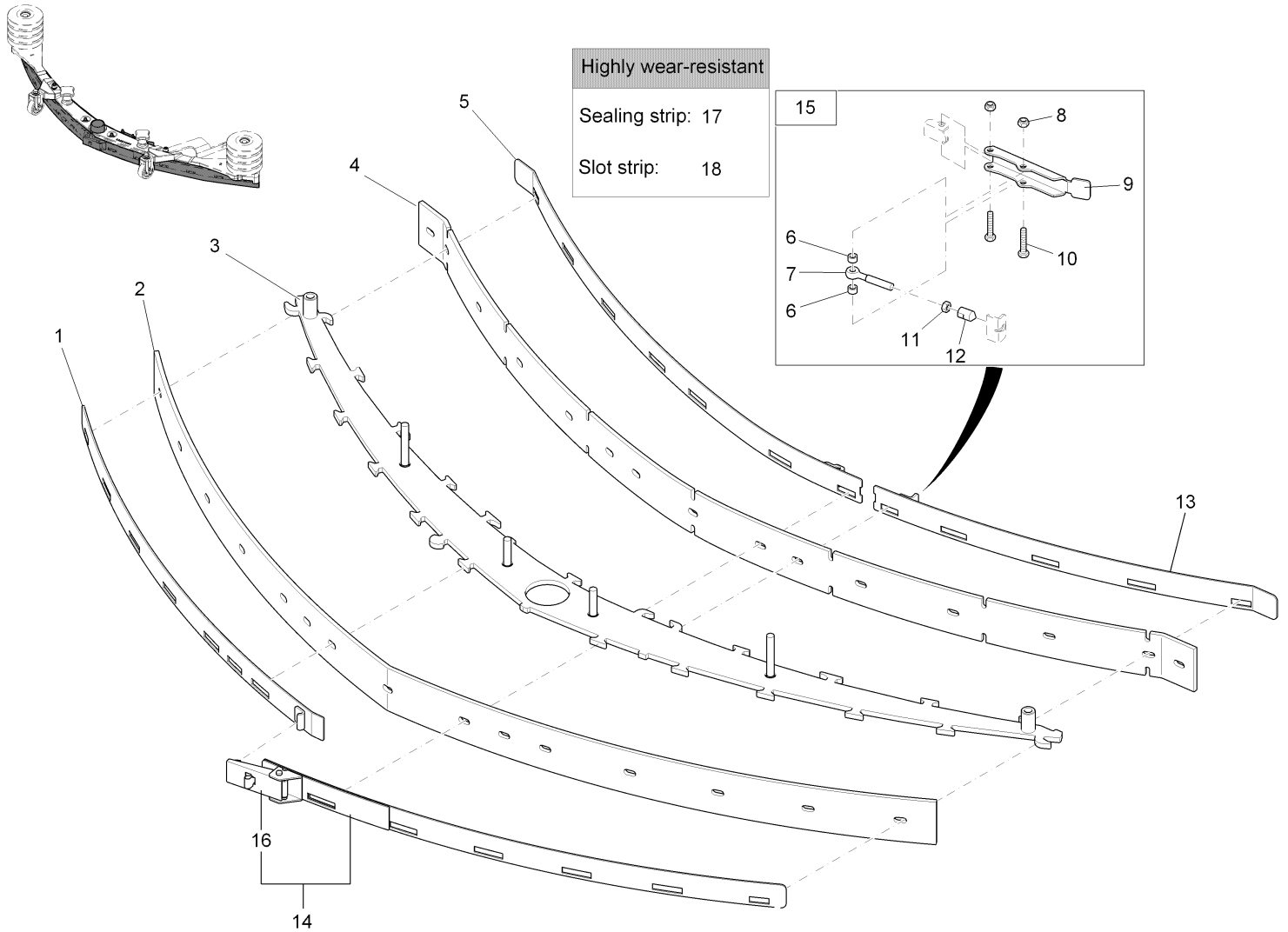
Lifting assy suction base unit part2 (97117980-2)

| Item | Part number | Description | Qty. | Unit | Remarks |
|------|-------------|---------------------|------|------|---------|
| 1 | 00539260 | Bolt | 2 | | |
| 2 | 00053760 | Washer | 5 | | |
| 3 | 00551410 | Cotter pin | 2 | | |
| 4 | 00712430 | Lifting element | 1 | | |
| 5 | 00903170 | Tab | 2 | | |
| 6 | 00903180 | Male-housing | 1 | | |
| 7 | 01071980 | Support | 1 | | |
| 8 | 00053310 | Hexagon screw | 1 | | |
| 9 | 00051500 | Hex. Nut | 3 | | |
| 10 | 00854190 | Hexagon screw | 2 | | |
| 11 | 01071520 | Guidance rope | 1 | | |
| 12 | 01071510 | Roller guide | 1 | | |
| 13 | 01273310 | Retainer | 1 | | |
| 14 | 00053260 | Hex.bolt | 1 | | |
| 15 | 00740090 | Detent edged washer | 1 | | |
| 16 | 01171330 | Slide bearing bush | 2 | | |
| 17 | 00053330 | Hex. Nut | 2 | | |
| 18 | 00053350 | Hex. Nut | 3 | | |
| 19 | 00053750 | Washer | 4 | | |
| 20 | 01171510 | Pivot bolt | 1 | | |
| 21 | 00051510 | Hex. Nut | 2 | | |
| 22 | 01273300 | Threaded bolt | 2 | | |
| 23 | 00053750 | Washer | 2 | | |
| 24 | 01273320 | Plate | 1 | | |
| 25 | 01178220 | Sheet metal | 1 | | |

Squeegee 95 cm (Available! No.99755910) (7559.10)

| Assembly | Description | Page |
|-----------------|-----------------------|-------------|
| 97108997-1 | Squeegee 950mm part 1 | 31 |
| 97108997-2 | Squeegee 950mm part 2 | 33 |

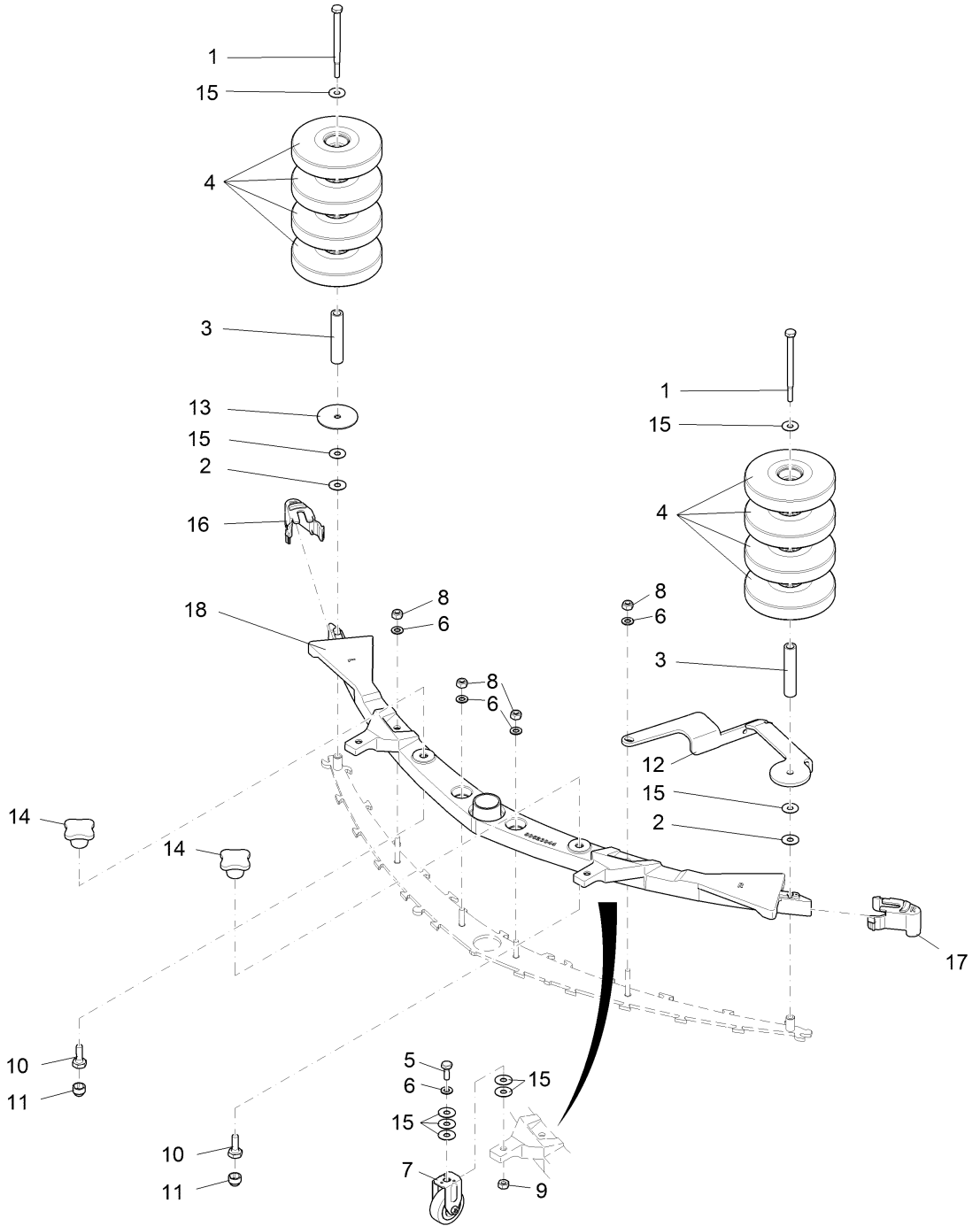
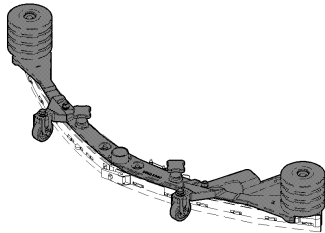
Squeegee 950mm part 1 (97108997-1)



Squeegee 950mm part 1 (97108997-1)

| Item | Part number | Description | Qty. | Unit | Remarks |
|------|-------------|--------------------|------|------|-------------------|
| 1 | 01077660 | Rear tension band | 1 | | |
| 2 | 01077480 | Sealing strip | 1 | | |
| 3 | 01178350 | Base plate | 1 | | |
| 4 | 01077470 | Slot strip | 1 | | |
| 5 | 01077650 | Front tension band | 1 | | |
| 6 | 01077590 | Bushing | 2 | | |
| 7 | 01077500 | Eye bolt | 1 | | |
| 8 | 01017660 | Hex. Nut | 2 | | |
| 9 | 01077580 | Lever | 1 | | |
| 10 | 01079890 | Hexagon screw | 2 | | |
| 11 | 00902250 | Hex. Nut | 1 | | |
| 12 | 01078090 | Pressure piece | 1 | | |
| 13 | 01077640 | Front tension band | 1 | | |
| 14 | 01077670 | Rear tension band | 1 | | |
| 15 | 00009010 | Lock suction unit | 1 | | |
| 16 | 01171810 | Lock | 1 | | |
| 17 | 01179180 | Sealing strip | 1 | | for 95cm squeegee |
| 18 | 01179170 | Slot strip | 1 | | for 95cm squeegee |

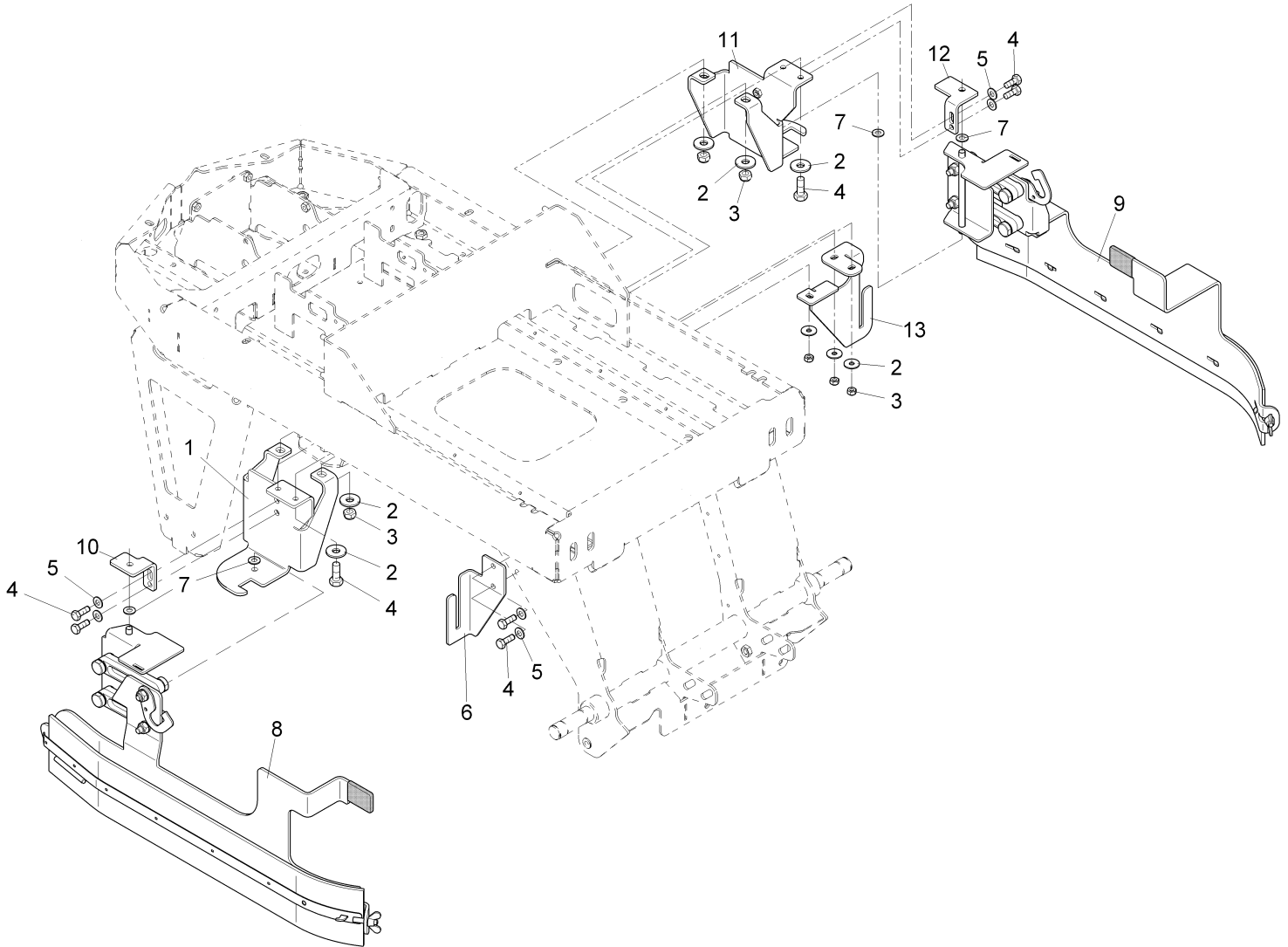
Squeegee 950mm part 2 (97108997-2)



Squeegee 950mm part 2 (97108997-2)

| Item | Part number | Description | Qty. | Unit | Remarks |
|------|-------------|-------------------------|------|------|---------|
| 1 | 01176750 | Hexagon screw | 2 | | |
| 2 | 00902280 | Washer | 1 | | |
| 3 | 01177260 | Pipe | 2 | | |
| 4 | 01171790 | Deflector roller | 8 | | |
| 5 | 01162510 | Hexagon screw | 2 | | |
| 6 | 00101550 | Washer | 6 | | |
| 7 | 01077810 | Fixed castor | 2 | | |
| 8 | 00101540 | Hex. Nut | 4 | | |
| 9 | 00971400 | Hex. Nut | 2 | | |
| 10 | 01019850 | Hexagon screw | 2 | | |
| 11 | 00131610 | Lens cap | 2 | | |
| 12 | 01177300 | Bracket | 1 | | |
| 13 | 01178290 | Conical spring washer | 1 | | |
| 14 | 01274760 | Star handle yellow | 2 | | |
| 15 | 01079080 | Spacer | 14 | | |
| 16 | 01178320 | Protection cap L.H. | 1 | | |
| 17 | 01178310 | Protection cap R.H. | 1 | | |
| 18 | 01178340 | Suction unit body 950mm | 1 | | |

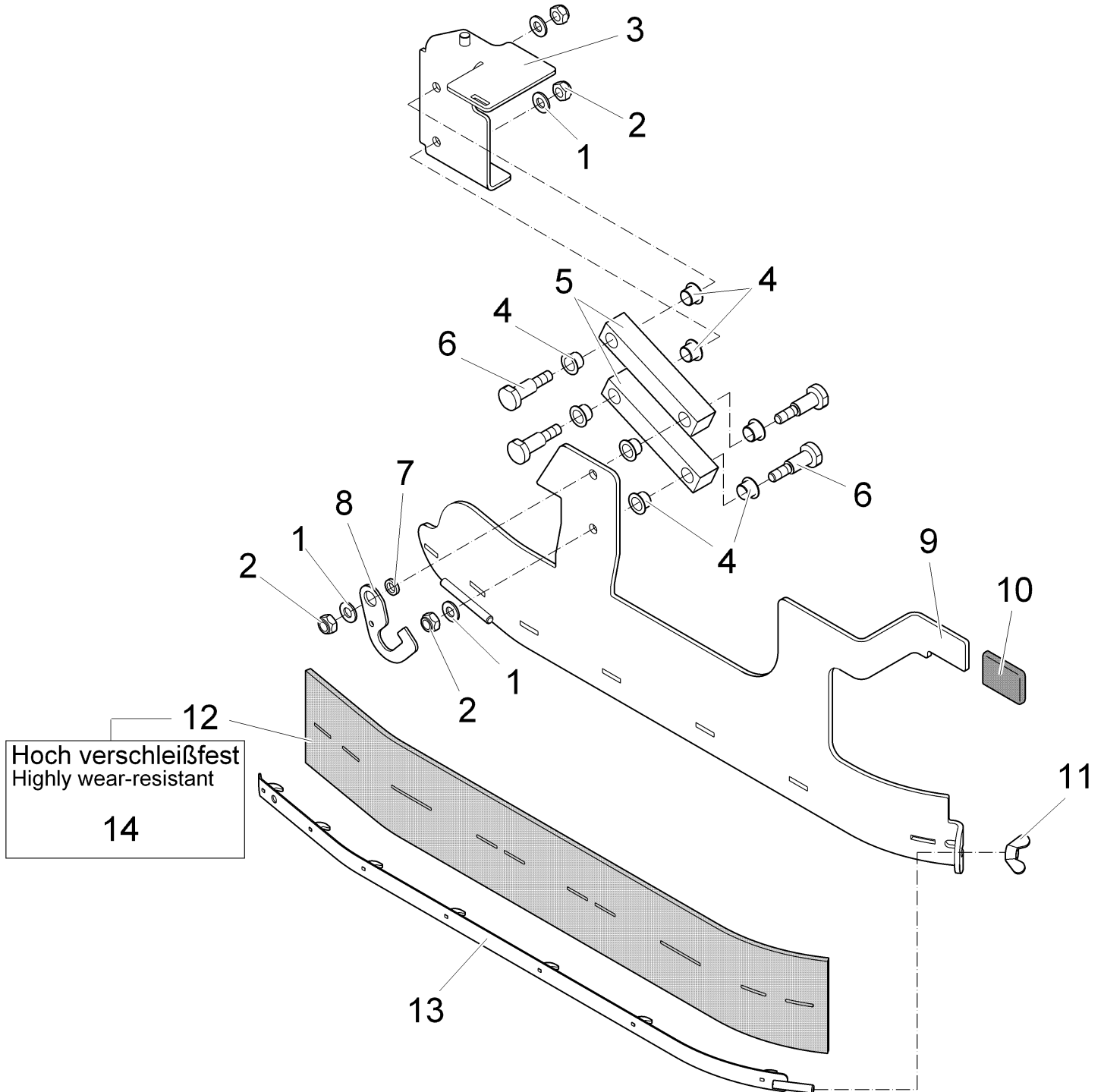
Wiper cpl. (97116628)



Wiper cpl. (97116628)

| Item | Part number | Description | Qty. | Unit | Remarks |
|------|-----------------|--------------------|-------------|-----------|---------|
| 1 | 01074170 | Holder L.H., cpl. | 1 | | |
| 2 | 00042900 | Washer | 11 | | |
| 3 | 00051510 | Hex. Nut | 7 | | |
| 4 | 00131730 | Hex.bolt | 10 | | |
| 5 | 00053750 | Washer | 6 | | |
| 6 | 01074180 | Angle L.H. | 1 | | |
| 7 | 00053760 | Washer | 4 | | |
| 8 | 97084446 | Wiper, L.H. | Page | 37 | |
| 9 | 97115786 | Wiper, R.H. | Page | 39 | |
| 10 | 01074200 | Angle, L.H. | 1 | | |
| 11 | 01074270 | Holder R.H., cpl. | 1 | | |
| 12 | 01074300 | Angle, R.H. | 1 | | |
| 13 | 01274170 | Retainer | 1 | | |

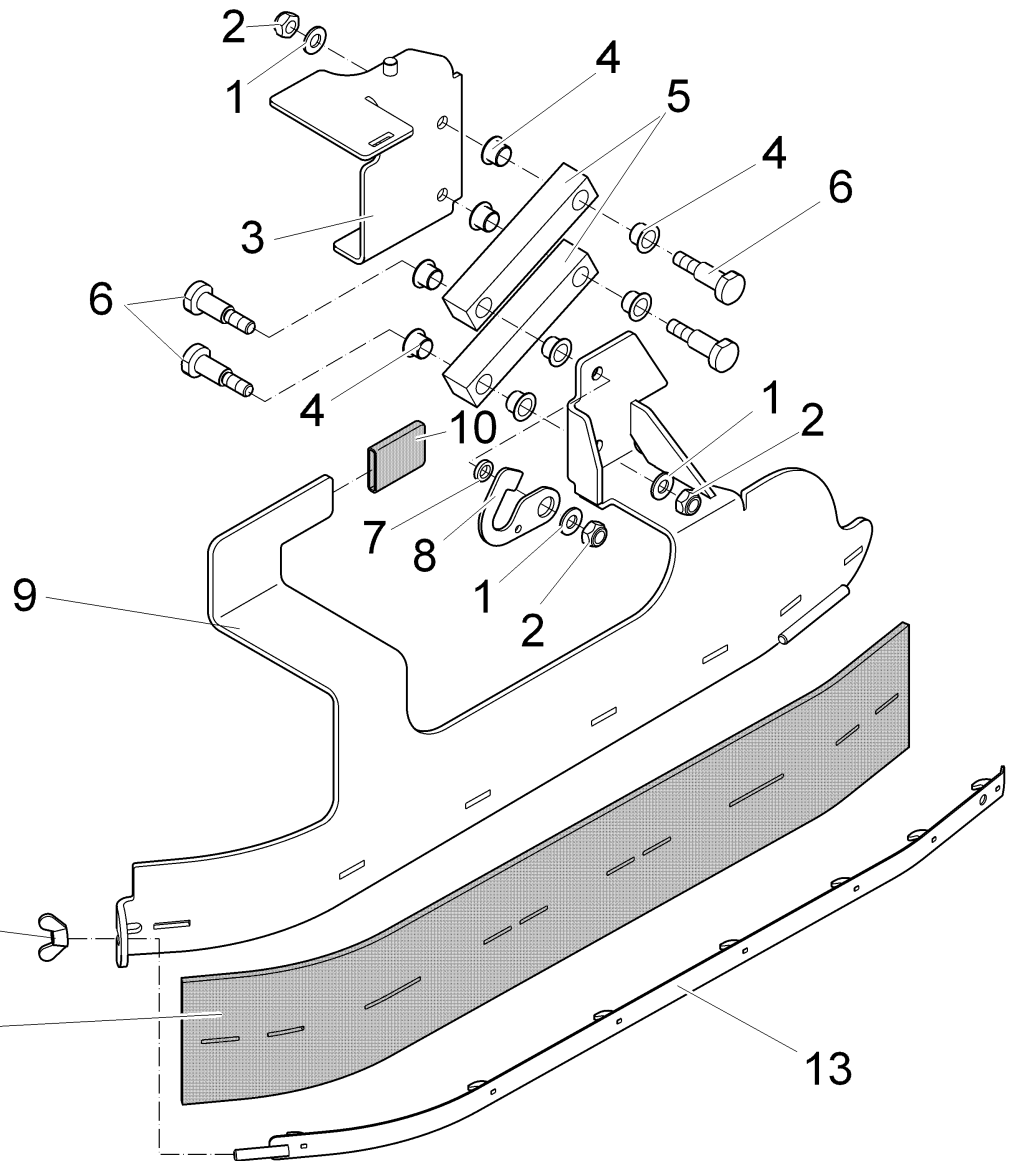
Wiper, L.H. (97084446) 2004-02-01 -->



Wiper, L.H. (97084446) 2004-02-01 -->

| Item | Part number | Description | Qty. | Unit | Remarks |
|------|-------------|-----------------------|------|------|---------|
| 1 | 00053760 | Washer | 4 | | |
| 2 | 00051500 | Hex. Nut | 4 | | |
| 3 | 01074190 | Swivel arm L.H., cpl. | 1 | | |
| 4 | 01073860 | slide bearing bush | 8 | | |
| 5 | 01073870 | lever | 1 | | |
| 6 | 01073910 | fitting screw | 4 | | |
| 7 | 01074210 | Bushing | 1 | | |
| 8 | 01271200 | Locking hook | 1 | | |
| 9 | 01074230 | Strut L.H., cpl. | 1 | | |
| 10 | 01074240 | Cap | 1 | | |
| 11 | 00153350 | Wing nut | 1 | | |
| 12 | 01074250 | Rubber strap | 1 | | |
| 13 | 01074260 | Tightening strap | 1 | | |
| 14 | 01077040 | Squeegee strip | 1 | | |

Wiper, R.H. (97115786)



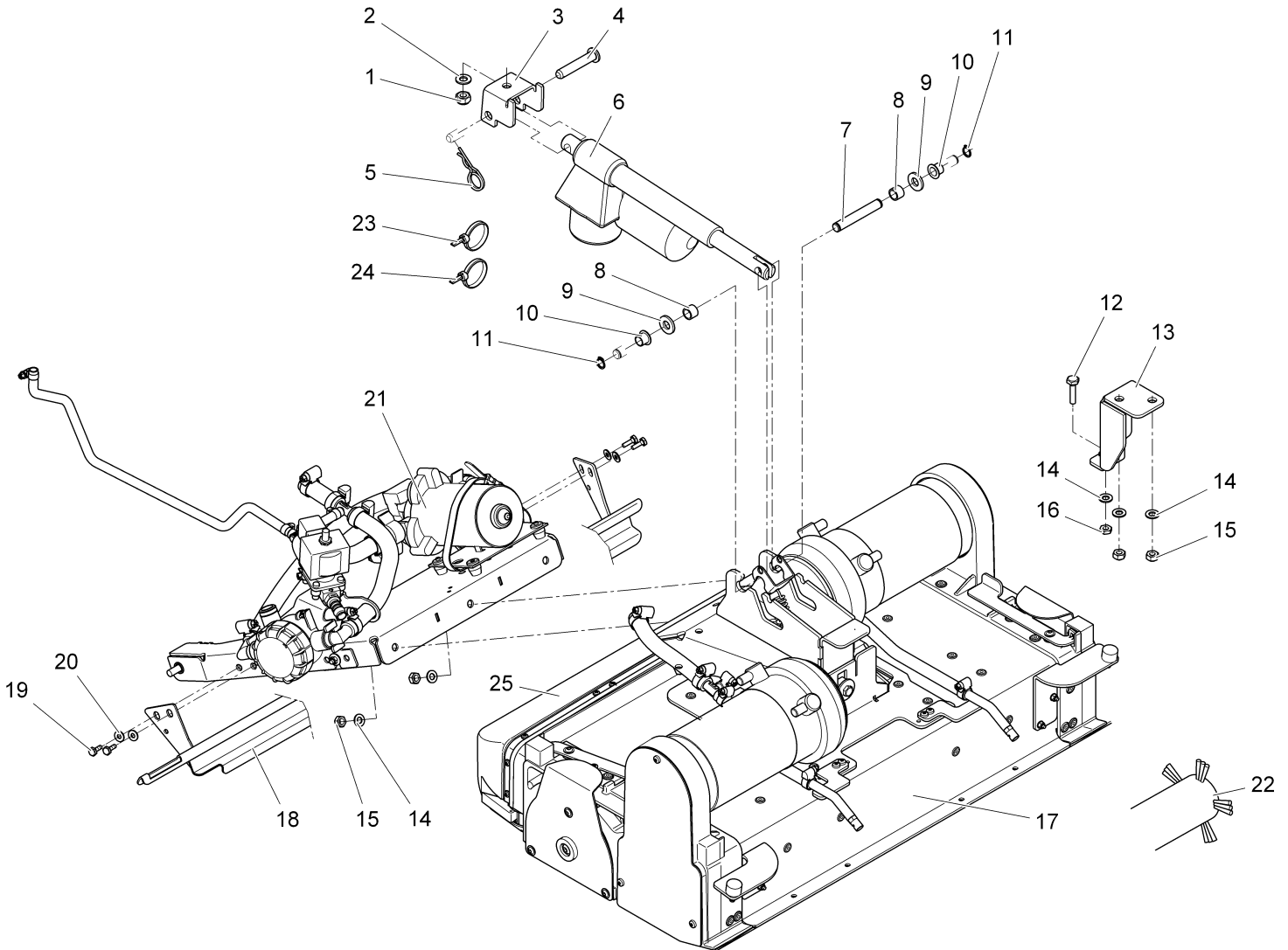
Hoch verschleißfest
Highly wear-resistant

14

Wiper, R.H. (97115786)

| Item | Part number | Description | Qty. | Unit | Remarks |
|------|-------------|-----------------------|------|------|---------|
| 1 | 00053760 | Washer | 4 | | |
| 2 | 00051500 | Hex. Nut | 4 | | |
| 3 | 01074290 | Swivel arm R.H., cpl. | 1 | | |
| 4 | 01073860 | slide bearing bush | 8 | | |
| 5 | 01073870 | lever | 2 | | |
| 6 | 01073910 | fitting screw | 4 | | |
| 7 | 01074210 | Bushing | 1 | | |
| 8 | 01271200 | Locking hook | 1 | | |
| 9 | 01273180 | Truss R.H. | 1 | | |
| 10 | 01074240 | Cap | 1 | | |
| 11 | 00153350 | Wing nut | 1 | | |
| 12 | 01074250 | Rubber strap | 1 | | |
| 13 | 01074260 | Tightening strap | 1 | | |
| 14 | 01077040 | Squeegee strip | 1 | | |

Cylindrical brush drive aggregate (97118335 7090-48) 2012-12-01 -->



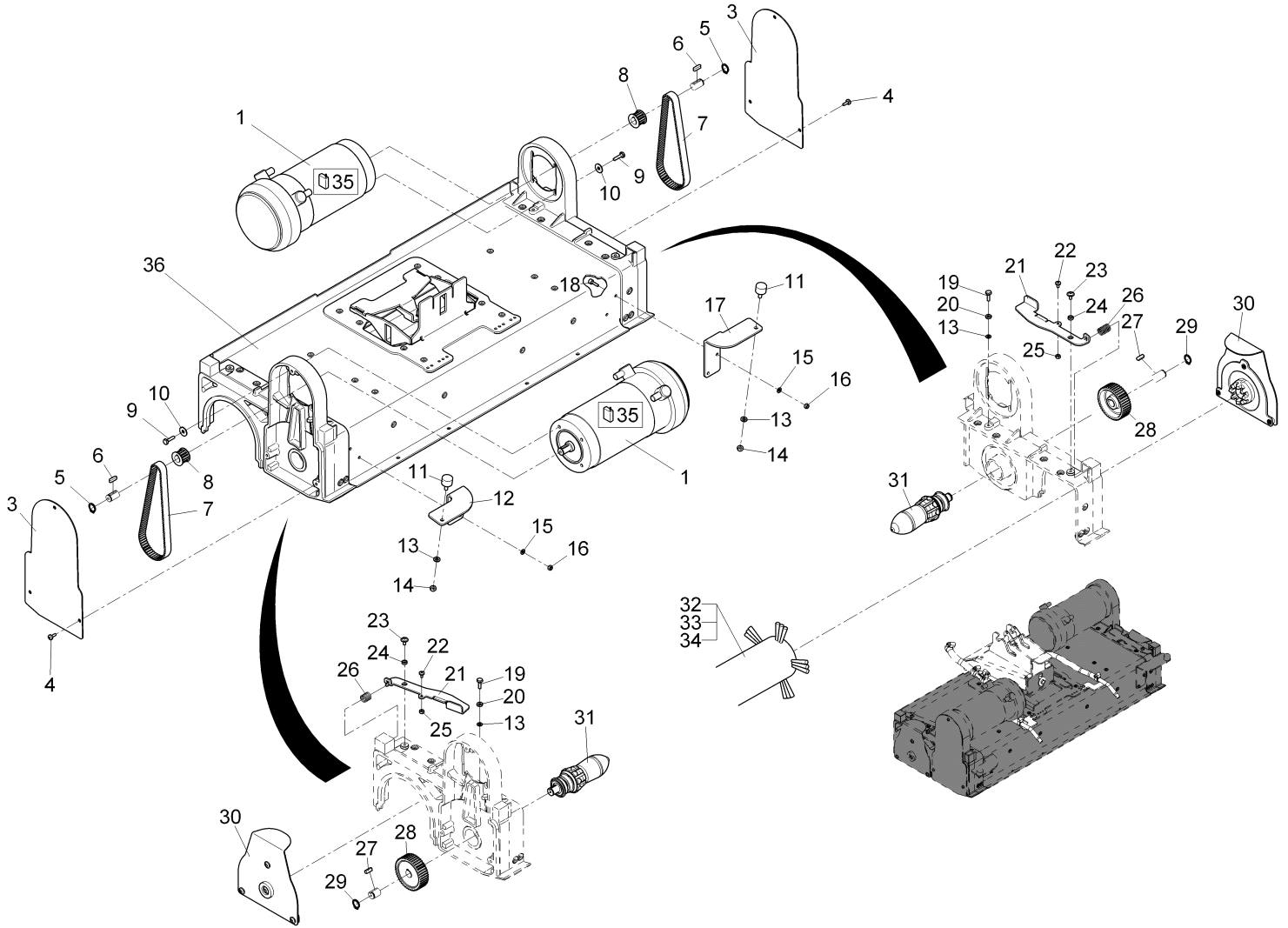
Cylindrical brush drive aggregate (97118335 7090-48) 2012-12-01 -->

| Item | Part number | Description | Qty. | Unit | Remarks |
|------|-----------------|-------------------------------|-------------|-----------|---|
| 1 | 00051500 | Hex. Nut | 1 | | |
| 2 | 00053760 | Washer | 1 | | |
| 3 | 01076930 | Retainer | 1 | | |
| 4 | 00851560 | Bolt | 1 | | |
| 5 | 00744820 | Spring cotter | 1 | | |
| 6 | 01170430 | Regulating motor | 1 | | |
| 7 | 01072400 | Axle | 1 | | |
| 8 | 01072410 | Bushing | 2 | | |
| 9 | 00151200 | Washer | 2 | | |
| 10 | 01071440 | Plain bearing bush | 2 | | |
| 11 | 00072440 | Circlip | 2 | | |
| 12 | 00053110 | Hexagon screw | 1 | | |
| 13 | 03000510 | Stop cpl. | 1 | | |
| 14 | 00053750 | Washer | 5 | | |
| 15 | 00051510 | Hex. Nut | 4 | | |
| 16 | 00046500 | Hex. Nut | 1 | | |
| 17 | 97118343 | Cylindrical brush head | Page | 43 | |
| 18 | 01072200 | Safety rail | 1 | | |
| 19 | 00053010 | Hex.bolt | 4 | | |
| 20 | 00730940 | Detent edged washer | 2 | | |
| 21 | 97118392 | Rocker cpl. | Page | 52 | |
| 22 | 99709900 | Set cyl brush | 1 | | Degree of soiling medium to heavy, structured flooring, SIC PA 6. 12, Kom 500 |
| 23 | 00121150 | Cable tie | 15 | | |
| 24 | 00967760 | Cable tie | 3 | | |
| 25 | 03011040 | Dirt container | Page | 56 | |

Cylindrical brush head (97118343)

| Assembly | Description | Page |
|-----------------|----------------------------|-------------|
| 97118343-1 | Cylinder brush head, part1 | 44 |
| 97118343-2 | Cylinder brush head, part2 | 50 |

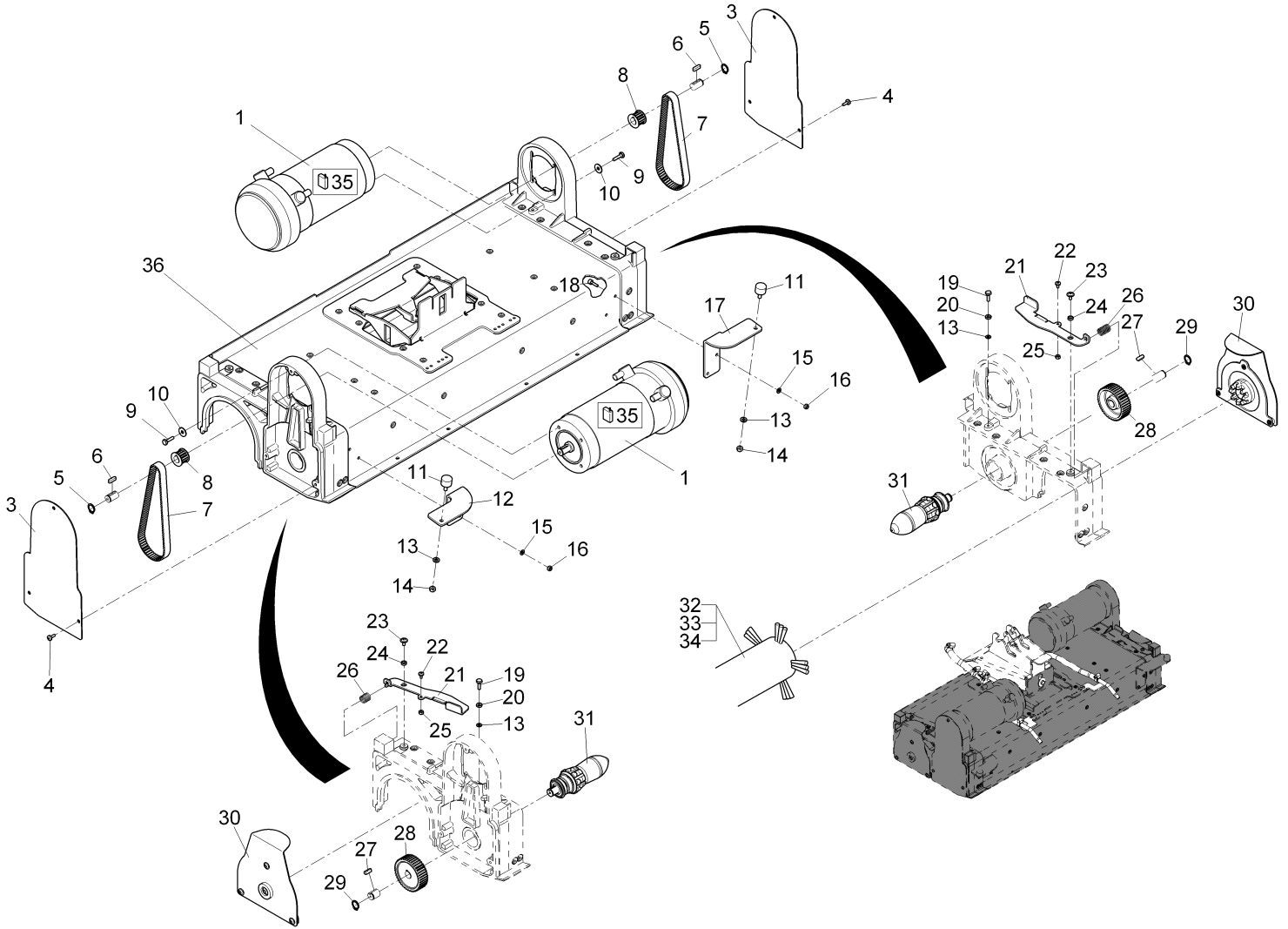
Cylinder brush head, part1 (97118343-1)



Cylinder brush head, part1 (97118343-1)

| Item | Part number | Description | Qty. | Unit | Remarks |
|------|-----------------|--|-------------|-----------|---|
| 1 | 01072450 | Motor | 2 | | |
| 3 | 01272860 | Sheet metal | 2 | | |
| 4 | 00959220 | Screw | 6 | | |
| 5 | 00022440 | Retaining ring | 2 | | |
| 6 | 00022430 | Feather key | 2 | | |
| 7 | 01072540 | Toothed belt | 2 | | |
| 8 | 01072460 | Toothed belt pulley | 2 | | |
| 9 | 00053020 | Hexagon screw | 8 | | |
| 10 | 00135120 | Washer | 8 | | |
| 11 | 00854090 | Stop buffer | 2 | | |
| 12 | 01272880 | Sheet metal R.H. | 1 | | |
| 13 | 00053730 | Washer | 4 | | |
| 14 | 00051520 | Hex. Nut | 2 | | |
| 15 | 00902270 | Washer | 4 | | |
| 16 | 01017660 | Hex. Nut | 4 | | |
| 17 | 01272870 | Sheet metal L.H. | 1 | | |
| 18 | 01081260 | Socket head screw | 4 | | |
| 19 | 00053010 | Hex.bolt | 2 | | |
| 20 | 00135790 | Hex. Nut | 2 | | |
| 21 | 01272890 | Lever | 2 | | |
| 22 | 00552300 | Fillister-head screw | 2 | | |
| 23 | 01072520 | Lens flange screw | 2 | | |
| 24 | 01073360 | Bushing | 2 | | |
| 25 | 00902250 | Hex. Nut | 2 | | |
| 26 | 00550870 | Cyl.compression spring | 2 | | |
| 27 | 01072580 | Feather key | 2 | | |
| 28 | 01072570 | Toothed belt pulley | 2 | | |
| 29 | 00022340 | Retaining ring | 2 | | |
| 30 | 01072550 | Side cover, cpl. | 2 | | |
| 31 | 01072560 | Carrier, cpl. | Page | 48 | |
| 32 | 99768100 | Set of cyl. brushes PA6-07 | 1 | | Degree of soiling light to medium, PA 6 - 0,7 |
| 33 | 99768200 | Set of cyl. brushes SIC PA 6.12 grit 500 | 1 | | Degree of soiling medium to heavy, structured flooring, SIC PA 6. 12, Kom 500 |

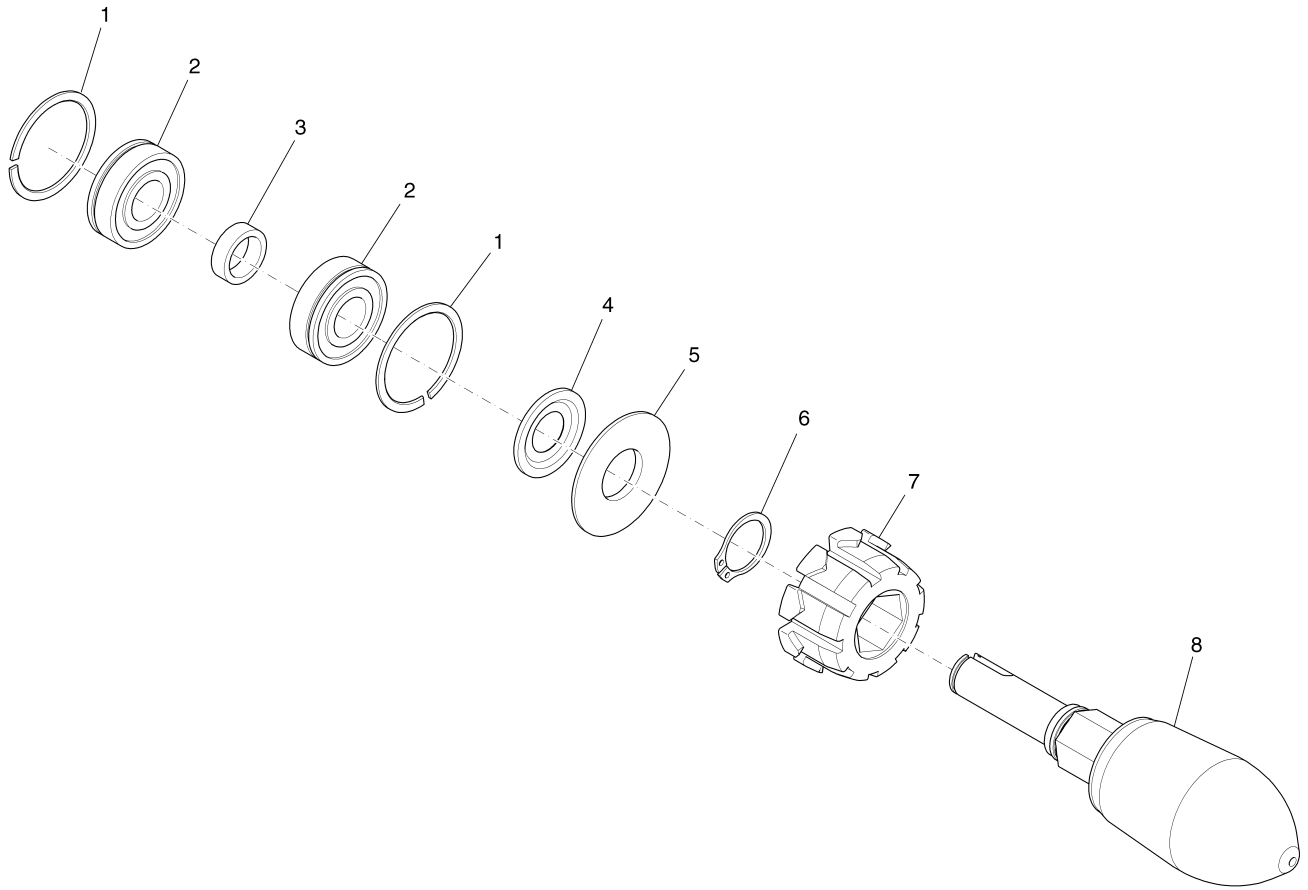
Cylinder brush head, part1 (97118343-1)



Cylinder brush head, part1 (97118343-1)

| Item | Part number | Description | Qty. | Unit | Remarks |
|------|-------------|--|------|------|--|
| 34 | 99768300 | Set of cyl. brushes SIC PA 6.12 grit 180 | 1 | | Very heavy soiling and basic cleaning, SIC PA 6. 12, Kom 180 |
| 35 | 00553060 | Set (4pc.) carbon brush | 1 | | |
| 36 | --- | Spare part on request | 1 | | 96136163 Cylinder brush head 700 |

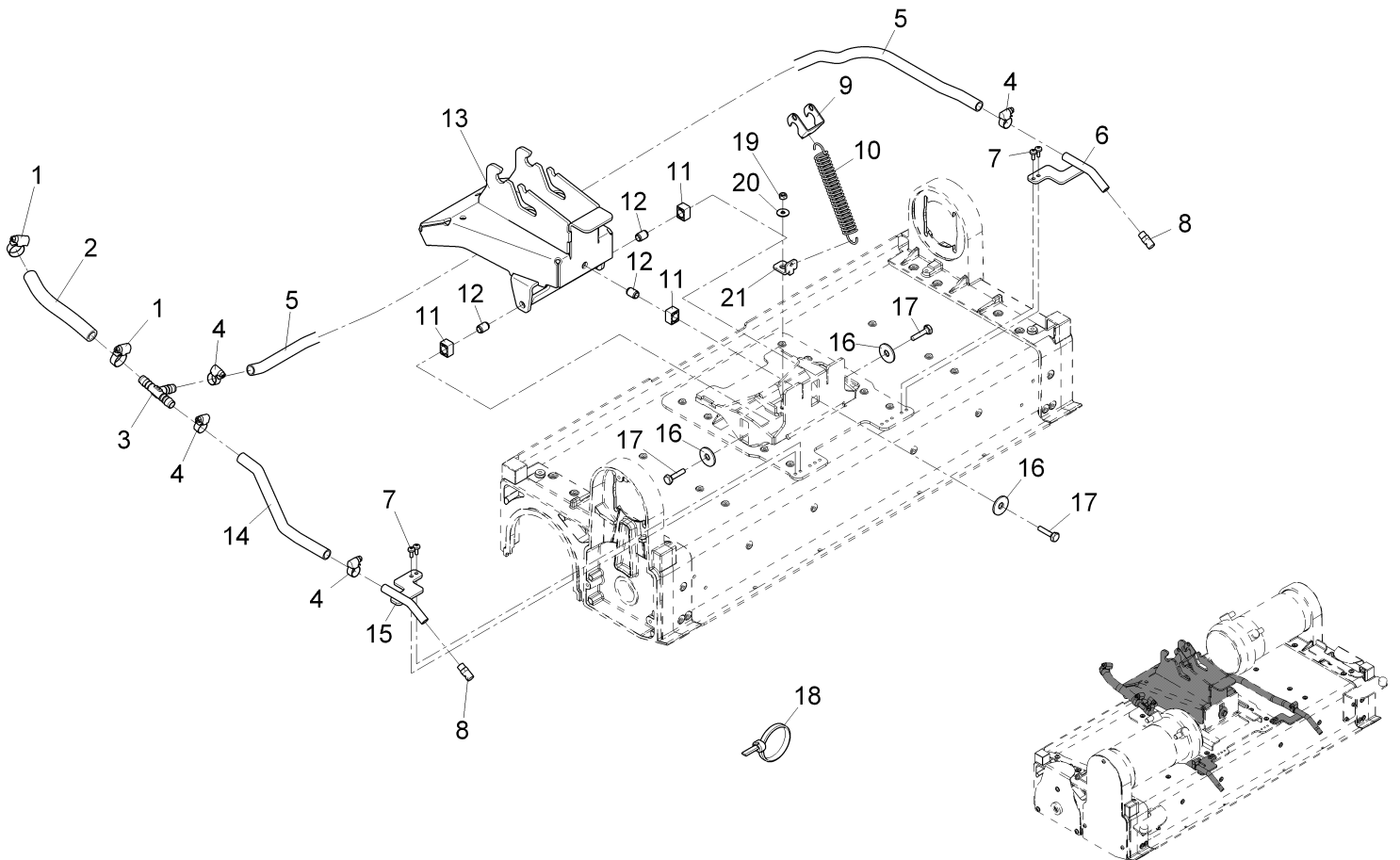
Carrier, cpl. (01072560)



Carrier, cpl. (01072560)

| Item | Part number | Description | Qty. | Unit | Remarks |
|------|-------------|----------------------|------|------|---------|
| 1 | 01078820 | Circlip | 2 | | |
| 2 | 01076560 | Grooved ball bearing | 2 | | |
| 3 | 01077520 | Bushing | 1 | | |
| 4 | 00124220 | Ring | 1 | | |
| 5 | 01077550 | Bushing | 1 | | |
| 6 | 00054310 | Retaining ring | 1 | | |
| 7 | 01077540 | Bushing | 1 | | |
| 8 | 01077530 | Retainer | 1 | | |

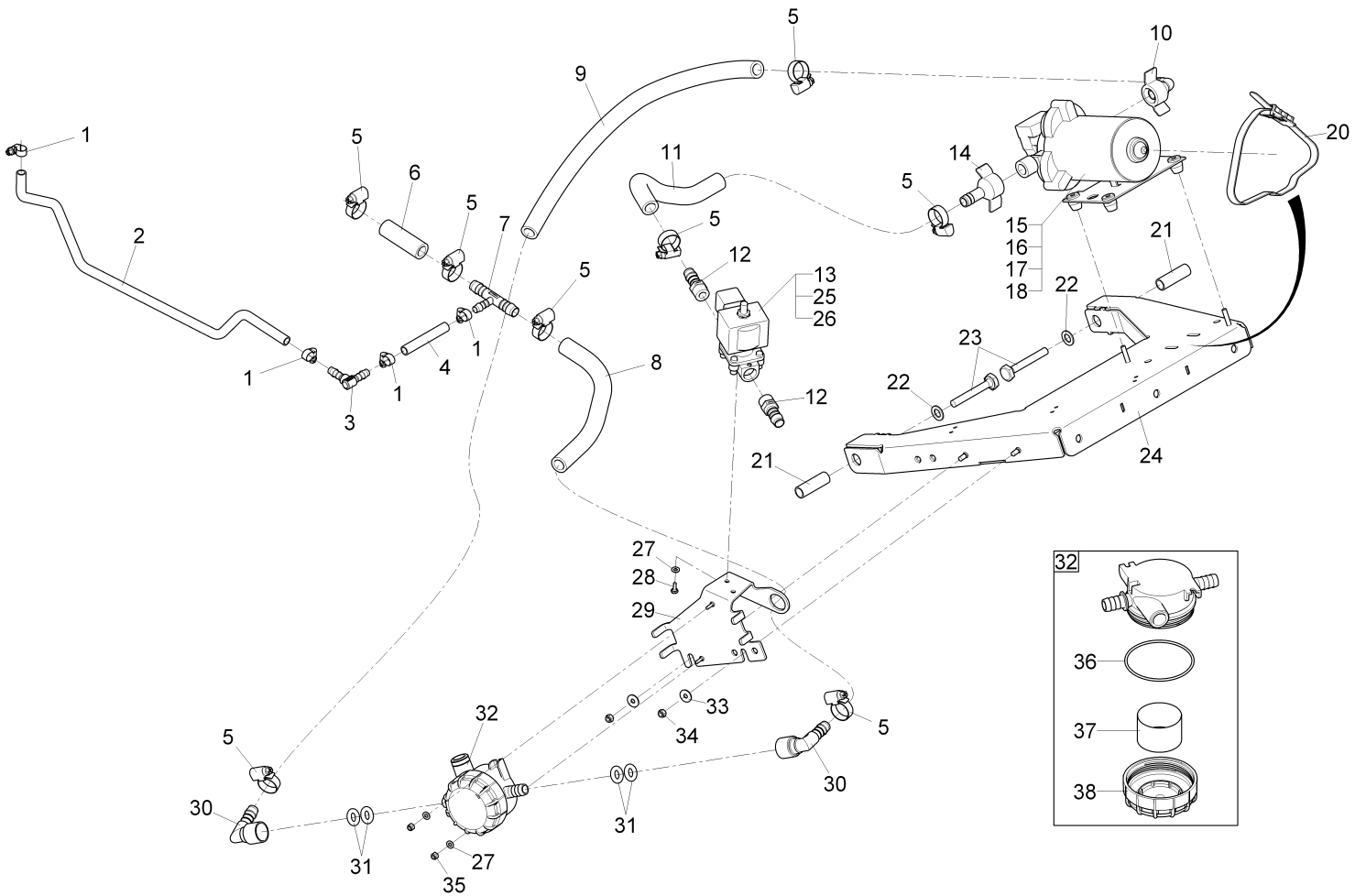
Cylinder brush head, part2 (97118343-2)



Cylinder brush head, part2 (97118343-2)

| Item | Part number | Description | Qty. | Unit | Remarks |
|------|-------------|-----------------------|-----------|------|----------------|
| 1 | 01015350 | Hose clamp | 2 | | |
| 2 | 00200170 | PVC hose | 180 mm | | |
| 3 | 00976160 | T-piece | 1 | | |
| 4 | 00074300 | Hose clamp | 4 | | |
| 5 | 00171030 | Hose | 570 mm | | |
| 6 | 01273120 | Pipe L.H. | 1 | | |
| 7 | 00959220 | Screw | 4 | | |
| 8 | 01072640 | Jet | 2 | | |
| 9 | 01272040 | Cramp | 1 | | |
| 10 | 01077710 | Tension spring | 1 | | |
| 11 | 01078700 | Slide block | 3 | | |
| 12 | 01077730 | Bushing | 3 | | |
| 13 | 01274680 | Guide arm | 1 | | |
| 14 | 00171030 | Hose | 240 mm | | |
| 15 | 01273130 | Pipe R.H. | 1 | | |
| 16 | 01161070 | Washer | 3 | | |
| 17 | 01078690 | Hexagon screw | 3 | | |
| 18 | 00967760 | Cable tie | 2 | | |
| 19 | 00102140 | Hex. Nut | 1 | | |
| 20 | 00854210 | Washer | 1 | | |
| 21 | --- | Spare part on request | 1 | | 90610767 Angle |

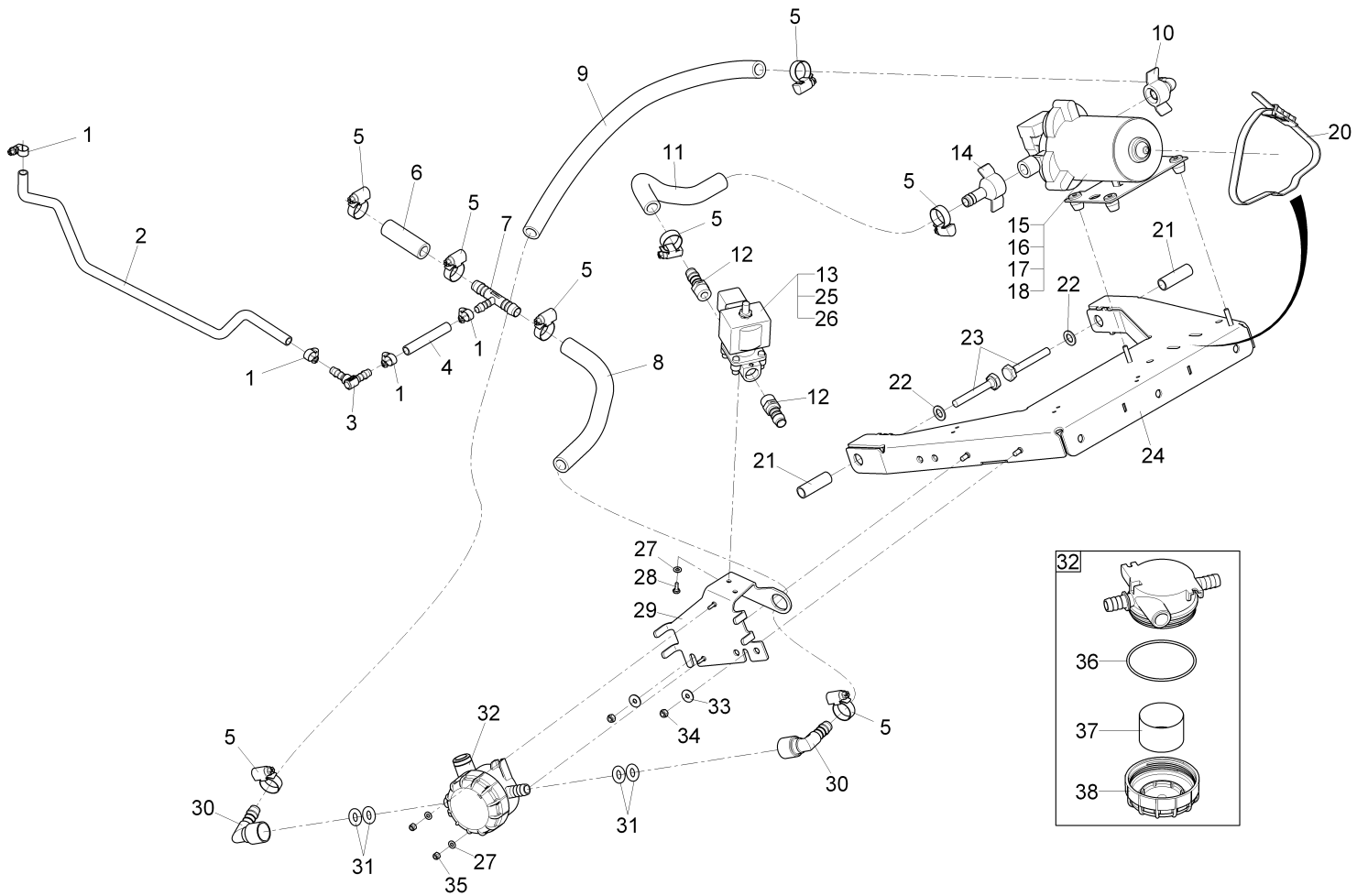
Rocker cpl. (97118392)



Rocker cpl. (97118392)

| Item | Part number | Description | Qty. | Unit | Remarks |
|------|-------------|------------------------------|-------|------|---------|
| 1 | 00529390 | Hose clamp | 4 | | |
| 2 | 00711670 | Hose | 0,500 | | |
| 3 | 01073010 | Angle connection piece | 1 | | |
| 4 | 00711670 | Hose | 0,070 | | |
| 5 | 01015350 | Hose clamp | 8 | | |
| 6 | 00200170 | PVC hose | 0,060 | | |
| 7 | 01073020 | T-piece | 1 | | |
| 8 | 00200170 | PVC hose | 0,260 | | |
| 9 | 00200170 | PVC hose | 0,440 | | |
| 10 | 00154140 | Screwed angle fitting | 1 | | |
| 11 | 00200170 | PVC hose | 0,200 | | |
| 12 | 00976140 | Screwing in connecting piece | 2 | | |
| 13 | 01071000 | Electrovalve | 1 | | |
| 14 | 01071450 | Straight screw connection | 1 | | |
| 15 | 00543750 | Pump | 1 | | |
| 16 | 01135470 | pin housing | 1 | | |
| 17 | 01063790 | Pin contact | 2 | | |
| 18 | 00903580 | Gasket | 2 | | |
| 20 | 01073340 | Cable tie | 1 | | |
| 21 | 01073350 | Pipe | 2 | | |
| 22 | 00962220 | Washer | 2 | | |
| 23 | 00151790 | Hexagon screw | 2 | | |
| 24 | 01273170 | Lifting fork | 1 | | |
| 25 | 03007630 | Sealing band | 0,400 | | |
| 26 | 03006960 | Sealing compound | 0,010 | | |
| 27 | 00053710 | Washer | 4 | | |
| 28 | 00058580 | Hex.bolt | 2 | | |
| 29 | 01273160 | Retainer | 1 | | |
| 30 | 01173170 | Hose coupling | 2 | | |
| 31 | 01171860 | O-ring | 4 | | |
| 32 | 01077170 | Water filter | 1 | | |
| 33 | 00555520 | Washer | 2 | | |
| 34 | 00051340 | Hex. Nut | 2 | | |
| 35 | 00133830 | Hex. Nut | 2 | | |
| 36 | 01178130 | O-ring | 1 | | |
| 37 | 01178210 | Strainer | 1 | | |

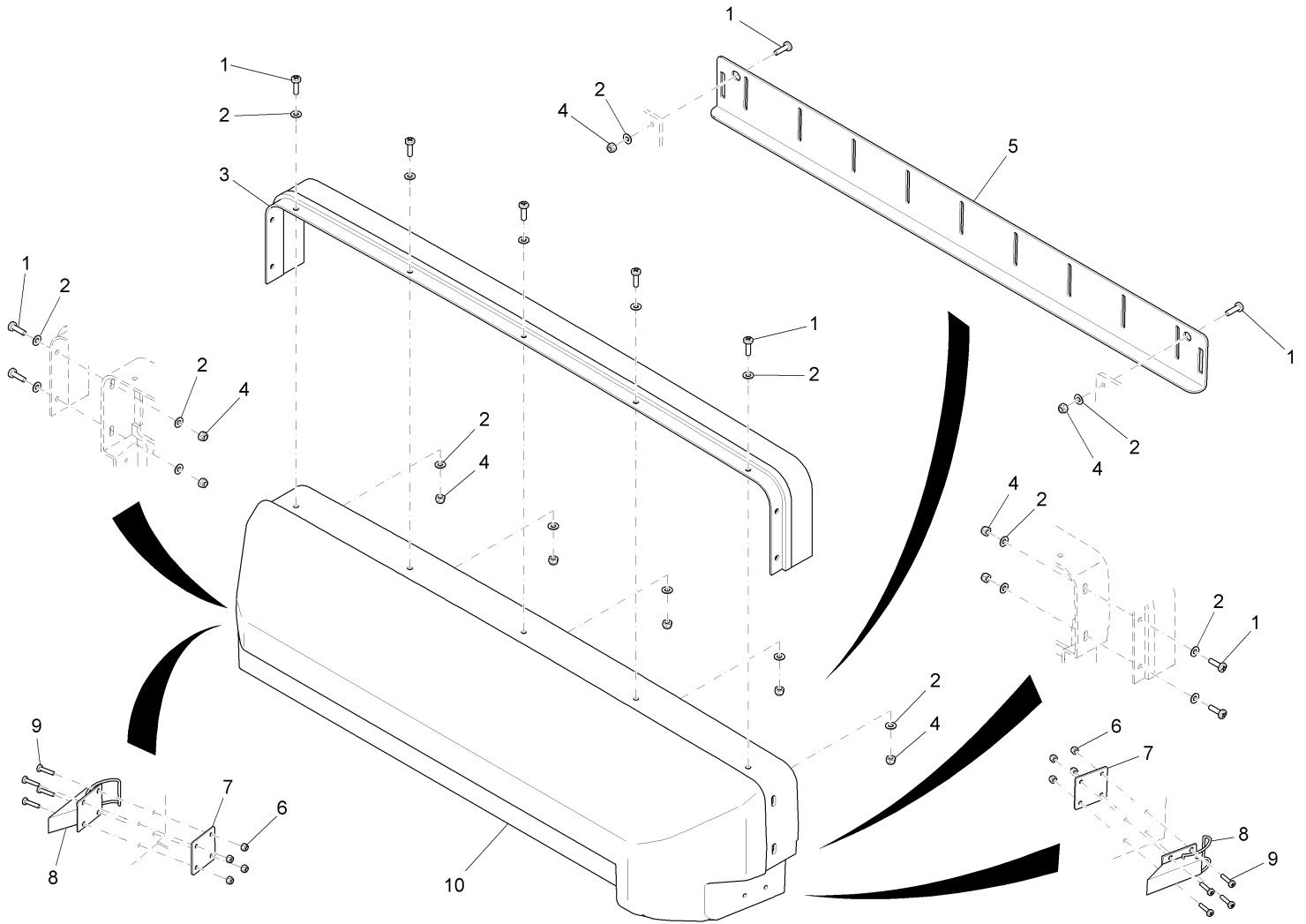
Rocker cpl. (97118392)



Rocker cpl. (97118392)

| Item | Part number | Description | Qty. | Unit | Remarks |
|------|-------------|--------------|------|------|---------|
| 38 | 01177090 | Filter cover | 1 | | |

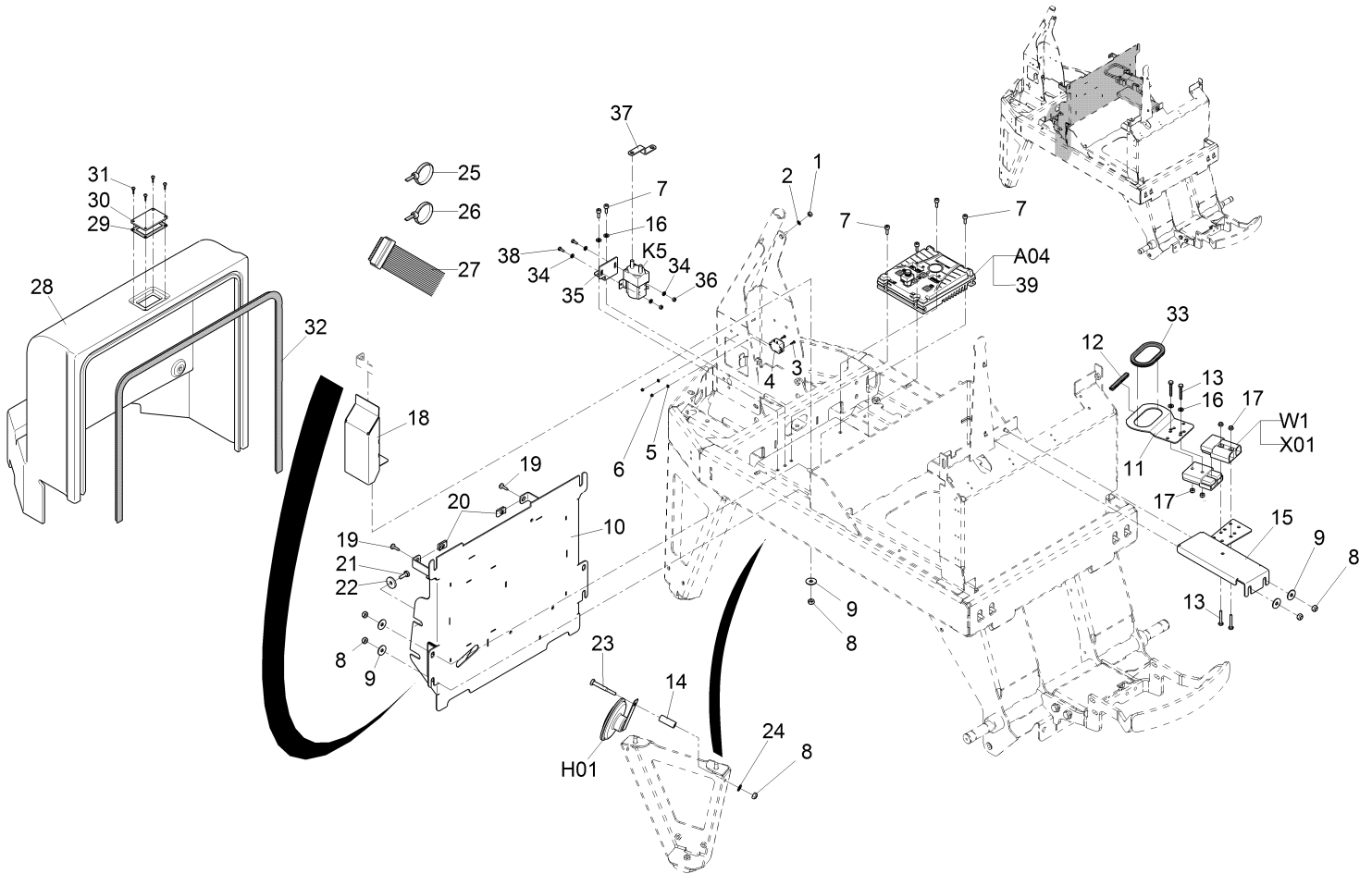
Dirt container (03011040)



Dirt container (03011040)

| Item | Part number | Description | Qty. | Unit | Remarks |
|------|-------------|----------------------|------|------|---------|
| 1 | 01072260 | Fillister-head screw | 11 | | |
| 2 | 00874720 | Washer | 20 | | |
| 3 | 01072240 | Broom rail | 1 | | |
| 4 | 00970190 | Hex. Nut | 11 | | |
| 5 | 01072250 | Panel apron | 1 | | |
| 6 | 01072270 | Hex. Nut | 8 | | |
| 7 | 01076250 | Plate | 2 | | |
| 8 | 01072220 | Lock | 2 | | |
| 9 | 01072230 | Fillister-head screw | 8 | | |
| 10 | 01072210 | Dirt hopper, cpl. | 1 | | |

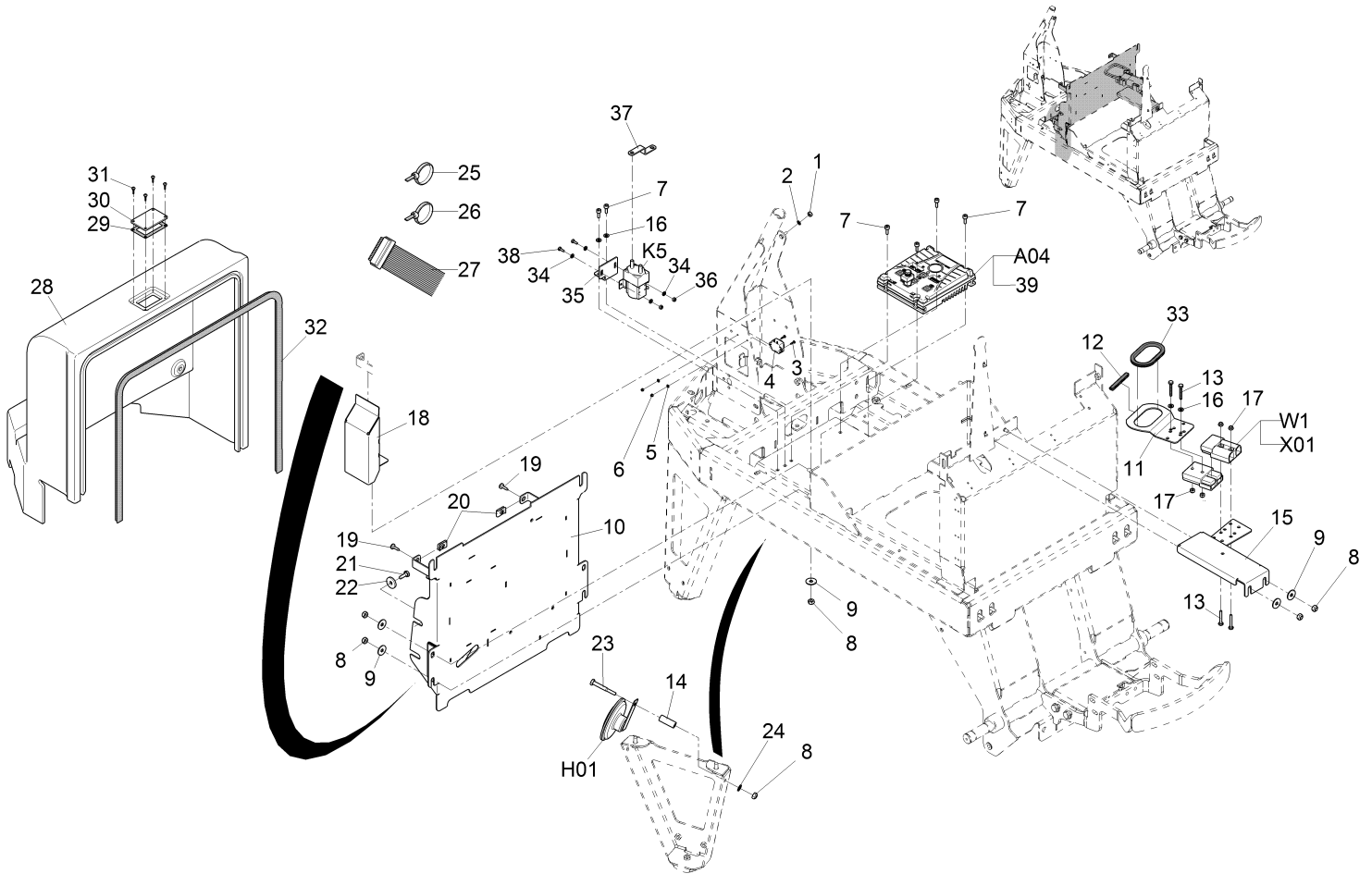
Electrics, part 1 (97125504-1)



Electrics, part 1 (97125504-1)

| Item | Part number | Description | Qty. | Unit | Remarks |
|------|-------------|-----------------------|-------|------|----------------|
| 1 | 00053330 | Hex. Nut | 1 | | |
| 2 | 01072030 | Toothed washer | 1 | | |
| 3 | 00042350 | Hex.bolt | 2 | | |
| 4 | 00745850 | Signal transmitter | 1 | | |
| 5 | 00553740 | Washer | 2 | | |
| 6 | 00022200 | Hex. Nut | 2 | | |
| 7 | 00136910 | Cylinder head screw | 6 | | |
| 8 | 00051510 | Hex. Nut | 8 | | |
| 9 | 00042900 | Washer | 7 | | |
| 10 | 03010260 | Elctronic box | 1 | | |
| 11 | 01056090 | Handle | 1 | | |
| 12 | 00721090 | Edge protection | 0,700 | | |
| 13 | 00053290 | Hexagon screw | 2 | | |
| 14 | 00073410 | Bushing | 1 | | |
| 15 | 03000560 | Support | 1 | | |
| 16 | 00053730 | Washer | 2 | | |
| 17 | 00051520 | Hex. Nut | 2 | | |
| 18 | 01274060 | Ventilation duct | 1 | | |
| 19 | 00740900 | Tapping screw | 4 | | |
| 20 | 01175860 | Snap nut | 4 | | |
| 21 | 00053090 | Hexagon screw | 4 | | |
| 22 | 00879170 | Washer | 4 | | |
| 23 | 00074260 | Hex.bolt | 1 | | |
| 24 | 00053750 | Washer | 1 | | |
| 25 | 00121150 | Cable tie | 36 | | |
| 26 | 00967760 | Cable tie | 12 | | |
| 27 | 01273970 | Ribbon cable | 1 | | |
| 28 | 03000530 | Covering for electric | 1 | | |
| 29 | 01072060 | Seal | 1 | | |
| 30 | 01072050 | Inspection glass | 1 | | |
| 31 | 00902430 | Self tapping screw | 4 | | |
| 32 | 01272770 | Sealing profile | 1,150 | | |
| 33 | 00721090 | Edge protection | 2,220 | | |
| 34 | 00053720 | Washer | 4 | | |
| 35 | --- | Spare part on request | 1 | | 90635871 Angle |
| 36 | 00051340 | Hex. Nut | 2 | | |

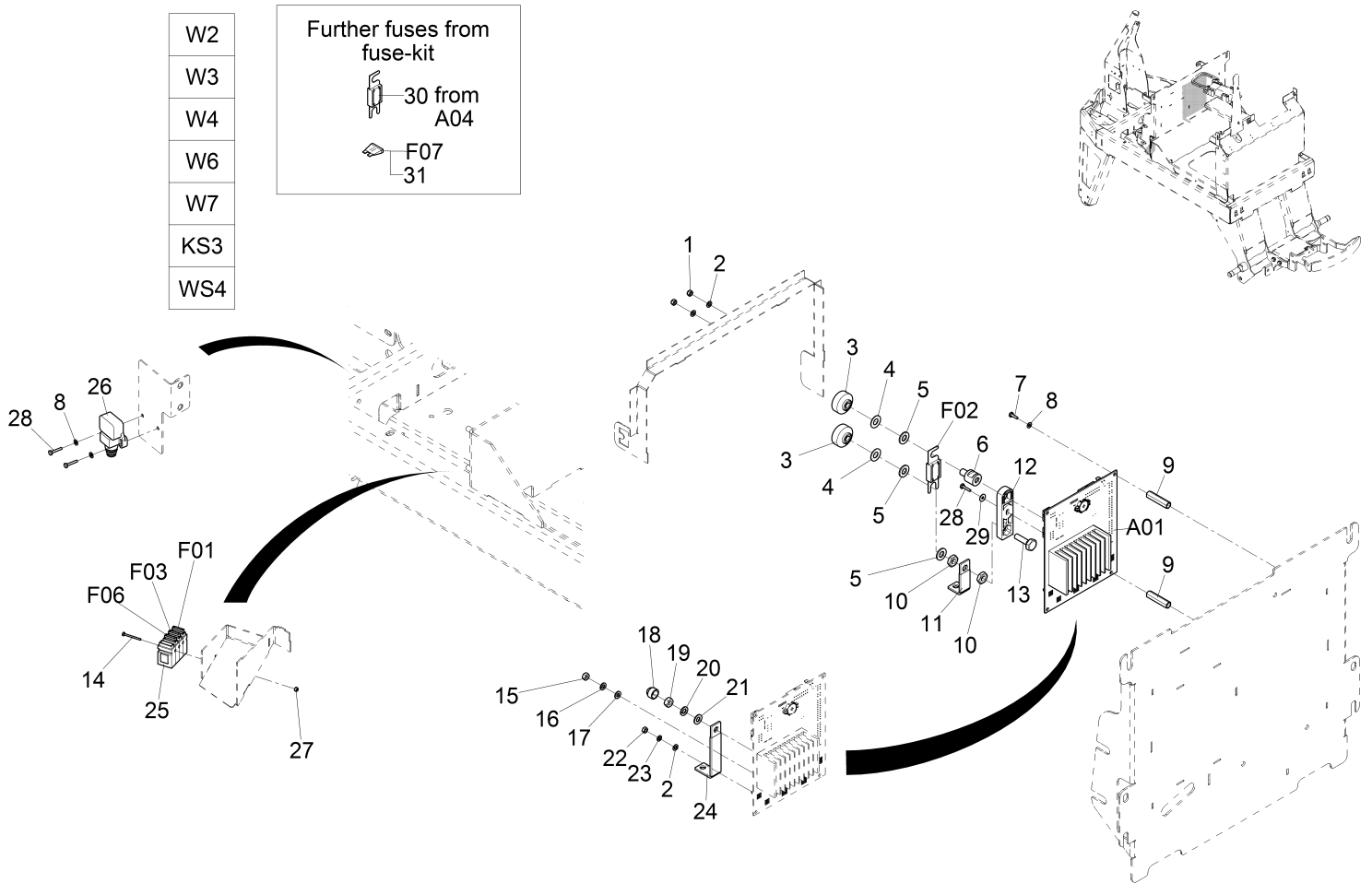
Electrics, part 1 (97125504-1)



Electrics, part 1 (97125504-1)

| Item | Part number | Description | Qty. | Unit | Remarks |
|------|-------------|-----------------------|------|------|----------------------|
| 37 | --- | Spare part on request | 1 | | 90638701 Current bar |
| 38 | 00152800 | Hex.bolt | 2 | | |
| 39 | 01276510 | Fuse | 1 | | |
| A04 | 01275770 | Driving control | 1 | | |
| H01 | 00852420 | Signal horn | 1 | | |
| K5 | 00750210 | Solenoid switch | 1 | | |
| W1 | 03010540 | Wiring harness W1 | 1 | | |
| X01 | 01075720 | Connector | 2 | | |

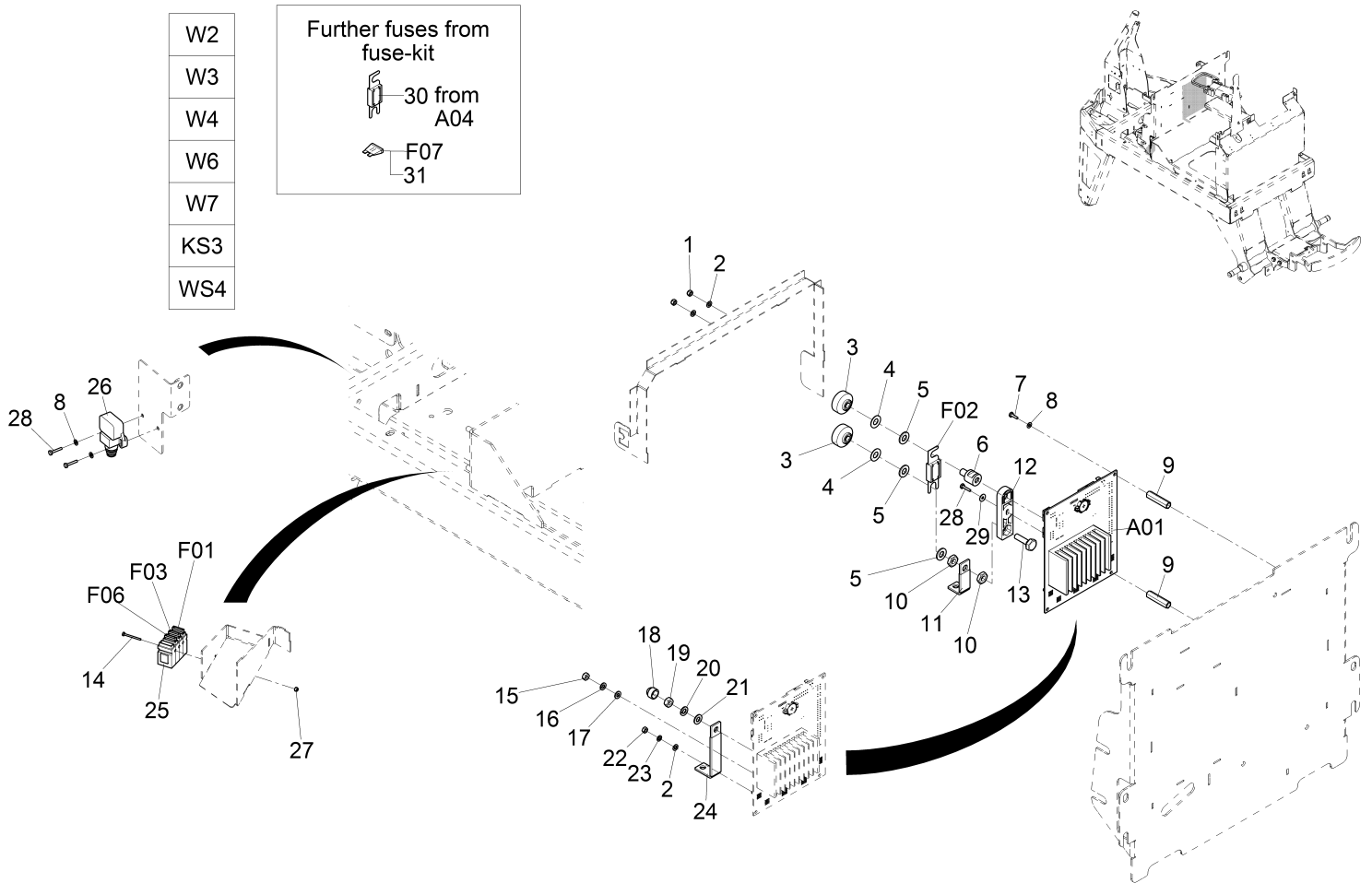
Electrics, part 2 (97125504-2)



Electrics, part 2 (97125504-2)

| Item | Part number | Description | Qty. | Unit | Remarks |
|------|-------------|----------------------|------|------|------------------------|
| 1 | 00051340 | Hex. Nut | 2 | | |
| 2 | 00053720 | Washer | 4 | | |
| 3 | 01273870 | Knurled knob | 2 | | |
| 4 | 00053860 | Spring washer | 2 | | |
| 5 | 01273880 | Washer | 3 | | |
| 6 | 01273940 | Screw | 1 | | |
| 7 | 00023080 | Hex.bolt | 3 | | |
| 8 | 00053710 | Washer | 5 | | |
| 9 | 01273950 | Screwing | 4 | | |
| 10 | 01273860 | Hex. Nut | 2 | | |
| 11 | 01274080 | Current bar | 1 | | |
| 12 | 01273930 | Fuse holder | 1 | | |
| 13 | 01273850 | Hexagon screw | 1 | | |
| 14 | 01072070 | Fillister-head screw | 2 | | |
| 15 | 00053330 | Hex. Nut | 3 | | |
| 16 | 00053400 | Lock washer | 3 | | |
| 17 | 00053730 | Washer | 3 | | |
| 18 | 00131610 | Lens cap | 1 | | |
| 19 | 00053350 | Hex. Nut | 1 | | |
| 20 | 00053410 | Lock washer | 1 | | |
| 21 | 00053750 | Washer | 1 | | |
| 22 | 00053320 | Hex. Nut | 2 | | |
| 23 | 00054170 | Lock washer | 2 | | |
| 24 | 01274070 | Current bar | 1 | | |
| 25 | 00733650 | Fuse holder | 4 | | |
| 26 | 00927610 | Switch | 2 | | |
| 27 | 00022200 | Hex. Nut | 2 | | |
| 28 | 00523520 | Hex.bolt | 3 | | |
| 29 | 00557150 | Washer | 1 | | |
| 30 | 01058960 | Fuse | 1 | | from drive control A04 |
| 31 | 00733630 | Fuse | 1 | | |
| A01 | 01273590 | Controller | 1 | | |
| F01 | 00509550 | Fuse | 1 | | Control voltage |
| F02 | 00059580 | Fuse | 1 | | |
| F03 | 00906120 | Fuse | 1 | | Horn |
| F06 | 00906120 | Fuse | 1 | | Work light |

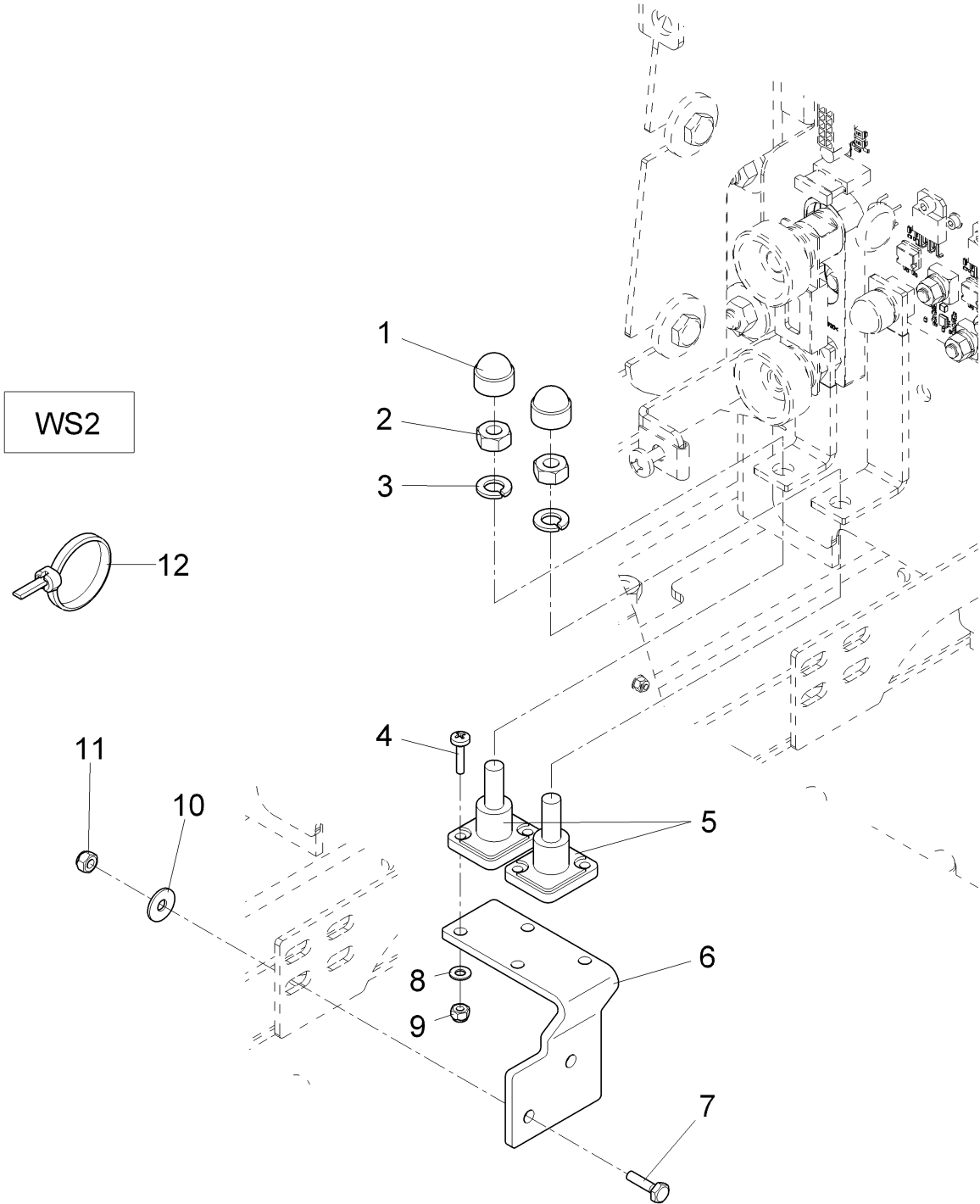
Electrics, part 2 (97125504-2)



Electrics, part 2 (97125504-2)

| Item | Part number | Description | Qty. | Unit | Remarks |
|-------------|--------------------|--------------------|-------------|-------------|-----------------|
| F07 | 00972430 | Fuse link | 1 | | Solution dosage |
| KS3 | 03012760 | Cable loom KS3 | 1 | | |
| W2 | 03012770 | Wiring harness W2 | 1 | | |
| W3 | 03012740 | Wiring harness W3 | 1 | | |
| W4 | 03009920 | Wiring harness W4 | 1 | | |
| W6 | 03010480 | Wiring harness W6 | 1 | | |
| W7 | 03012750 | Wiring harness W7 | 1 | | |
| WS4 | 03010510 | Wiring harness WS4 | 1 | | |

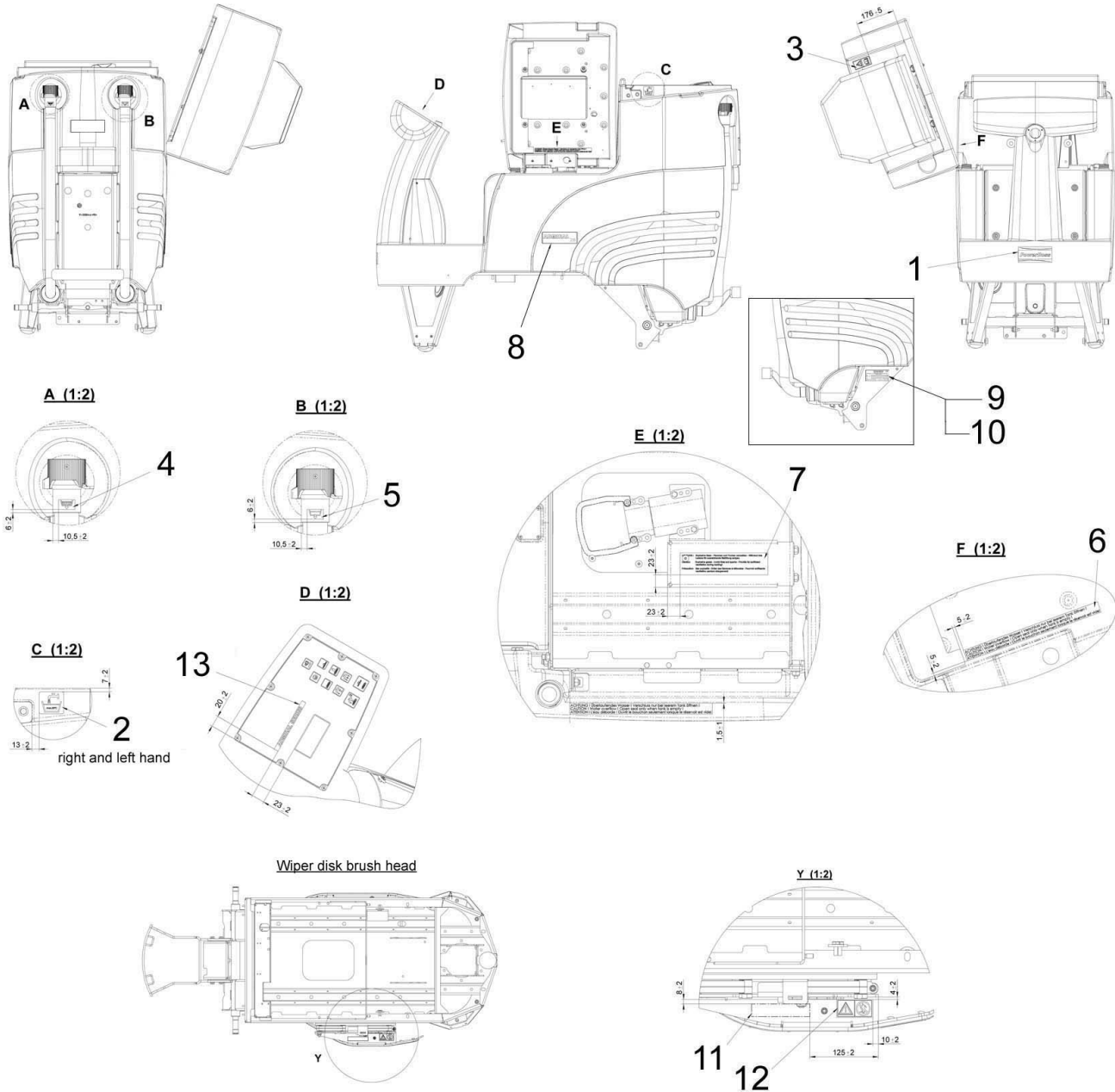
Wiring without On-board-charger (97116743)



Wiring without On-board-charger (97116743)

| Item | Part number | Description | Qty. | Unit | Remarks |
|------|-------------|----------------------|------|------|---------|
| 1 | 00131610 | Lens cap | 2 | | |
| 2 | 00053350 | Hex. Nut | 2 | | |
| 3 | 00053410 | Lock washer | 2 | | |
| 4 | 00731550 | Fillister-head screw | 4 | | |
| 5 | 00744670 | Single clamp | 2 | | |
| 6 | 01274460 | Retainer | 1 | | |
| 7 | 00054410 | Hex.bolt | 2 | | |
| 8 | 00053710 | Washer | 4 | | |
| 9 | 00133830 | Hex. Nut | 4 | | |
| 10 | 00555520 | Washer | 2 | | |
| 11 | 00051340 | Hex. Nut | 2 | | |
| 12 | 00121010 | Cable tie | 1 | | |
| WS2 | 03010530 | Wiring harness WS2 | 1 | | |

Labels (97116586)



Labels (97116586)

| Item | Part number | Description | Qty. | Unit | Remarks |
|------|-------------|-----------------------------|------|------|---------|
| 1 | 03008970 | Decal POWERBOSS | 1 | | |
| 2 | 01074400 | Decal caustic solution tank | 2 | | |
| 3 | 01071710 | Decal "Instruction manual" | 1 | | |
| 4 | 01170060 | Decal FOUL WATER | 1 | | |
| 5 | 01170150 | Decal SOLUTION TANK | 1 | | |
| 6 | 01175810 | Decal CAUTION | 2 | | |
| 7 | 01174740 | Decal explosive gazes | 1 | | |
| 8 | 03010950 | Decal Admiral 28 | 2 | | |
| 9 | 03008410 | Type plate POWERBOSS | 1 | | |
| 10 | 01073790 | Blind rivet | 2 | | |
| 11 | 01273910 | Decal 750/30 | 1 | | |
| 12 | 01272760 | Decal KEEP OFF | 1 | | |
| 13 | 03008010 | Decal ADMIRAL SERIES | 1 | | |

Revision K
Effective December 2015
PowerBoss Made Simple Industrial Limited Warranty

Minuteman International owner of PowerBoss warrants to the original purchaser/user that the product is free from defects in workmanship and materials under normal use. PowerBoss will, at its option, repair or replace without charge, parts that fail under normal use and service when operated and maintained in accordance with the applicable operation and instruction manuals. All warranty claims must be submitted through and approved by factory authorized repair stations.

This warranty does not apply to normal wear, or to items whose life is dependent on their use and care. Parts not manufactured by PowerBoss are covered by and subject to the warranties and/or guarantees of their manufacturers. Please contact Minuteman International for procedures in warranty claims against these manufacturers.

Special warning to purchaser -- Use of replacement parts not manufactured by PowerBoss or its designated licensees, will void all warranties expressed or implied. A potential health hazard exists without original equipment replacement.

All warranted items become the sole property of Minuteman International or PowerBoss or its original manufacturer, whichever the case may be.

PowerBoss disclaims any implied warranty, including the warranty of merchantability and the warranty of fitness for a particular purpose. PowerBoss assumes no responsibility for any special, incidental or consequential damages.

This limited warranty is applicable only in the U.S.A. and Canada, and is extended only to the original user/purchaser of this product. Customers outside the U.S.A. and Canada should contact their local distributor for export warranty policies. PowerBoss is not responsible for costs or repairs performed by persons other than those specifically authorized by PowerBoss. This warranty does not apply to damage from transportation, alterations by unauthorized persons, misuse or abuse of the equipment, use of non-compatible chemicals, or damage to property, or loss of income due to malfunctions of the product. If a difficulty develops with this machine, you should contact the dealer from whom it was purchased.

This warranty gives you specific legal rights, and you may have other rights, which vary from state to state. Some states do not allow the exclusion or limitation of special, incidental or consequential damages, or limitations on how long an implied warranty lasts, so the above exclusions and limitations may not apply to you.

| | Travel* | Labor | Parts | Engine | Extended Warranty | Costs |
|--|----------|-----------|------------------------|---------------------------|---|-------|
| Walk Behind | | | | | | **** |
| Battery Sweepers | 90 Days | 12 months | 36 months | N/A | N/A | - |
| IC Sweepers | 90 Days | 12 months | 36 months | Through Eng. Mfg. | N/A | - |
| Battery Scrubbers | 90 Days | 24 months | 36 months | N/A | N/A | - |
| Riders | | | | | | |
| Battery Scrubbers | 90 Days | 24 months | 36 months or 2000 hr. | N/A | 36 months parts + 24 labor (or 3000 Hours) | 5% |
| IC Sweeper/Scrubbers 82 & 90 | 90 Days | 6 months | 24 months or 2000 hr. | 24 months or 3000 hrs** | 36 months parts + 24 months labor (or 3000 Hours) + 180 days travel | 5% |
| I.C. Sweepers 9X, 10X | 90 days | 6 months | 48 months or 3000 hrs. | 60 months or 3000 hrs** | 48 months parts + 24 months labor (or 3000 Hours) + 180 days travel | 5% |
| NAUTILUS Scrubber | 180 Days | 24 months | 36 months or 2000 hr. | 36 months or 2000 hrs** | 48 months parts + 24 months labor (or 3000 Hours) + 180 days travel | 3% |
| All Rider, I.C. (excluding APEX series) | | | | | Bumper to Bumper 5000 hr max. 48 months parts, 48 months labor, 180 days travel | 8% |
| Exceptions | | | | | | |
| Apex Series Sweeper | 90 Days | 12 months | 12 months or 1000 hr. | 12 months or 1000 hrs** | 24 months parts + 24 months labor (or 2000 Hours) | 5% |
| 6X Sweeper | 90 Days | 6 months | 24 months or 2000 hr. | 24 months or 2000 hours** | 36 months parts + 24 months labor (or 3000 Hours) + 180 day travel | 5% |

Tank Bladders Eight years/ no additional labor
Polyethylene plastic tanks Ten years/ no additional labor
Batteries 0-3 months full replacement, 4-12 prorated credit
Chargers One-year replacement
Aftermarket Replacement parts Ninety days from date of purchase

*Two-Hour Cap Per Service Call

**Through Engine Manufacturer. See Section 3 of Warranty Manual for Engine Warranty Exceptions

*** Based Upon Dealer's Certification Status: Extended Warranty MUST Be Signed Up Within 30 Days of Delivery to End User (Dealer Has 1Year From Receiving Machine To Sign Up For Extended Warranty)

***All above labor and travel reimbursed at 65% or 75% of the published shop rate.



“The Power of Clean”

PowerBoss Is A Full Line Manufacturer Of Sweepers and Scrubbers For Industrial Facilities.

PowerBoss, Inc 175 Anderson Street P.O. Box 1227- Aberdeen North Carolina 28315

Phone: 800-982-7141 - Fax: 1-800-277-7141 Local: 910-944-2105 Fax: 910-944-7409 e-mail: techsupport@powerboss.com

A Member Of The Hako Group